



DS312.L

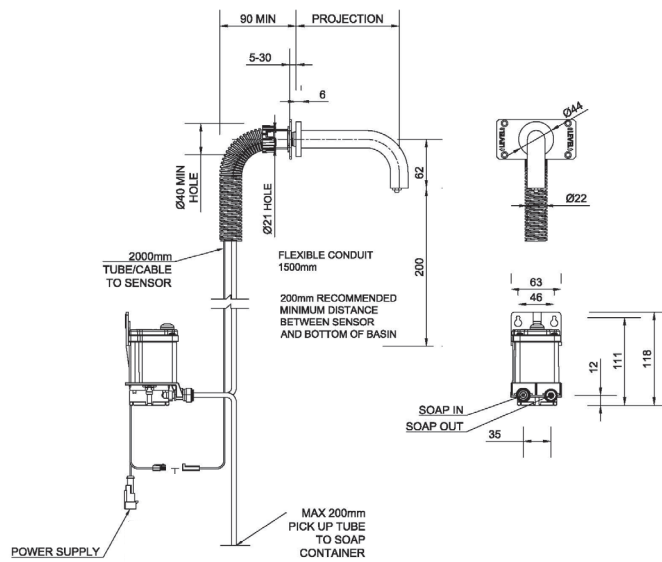
DOLPHIN STRATAPLATE MOUNTED INFORM (SMART) LIQUID SOAP DISPENSER

INSTALLATION AND MAINTENANCE GUIDE

PRODUCT CODE

DS312.L.125 > 125mm Projection
DS312.L.150 > 150mm Projection
DS312.L.175 > 175mm Projection

DS312.L



TECHNICAL DATA

- › Dolphin Strataplate Wall Mounted InForm (SMART) Liquid Soap Dispenser
- › Manufactured from high-quality, highly durable 1.4401 (316) Marine grade stainless steel.
- › Self-Monitoring Analysis and Recording Technology (SMART) allows the Facilities Manager to connect point to point via the Dolphin SMART App when used with the optional Bluetooth Adaptor (Sold separately -Order product code 26040)
- › Infra-Red Touch Free Soap Dispenser for ultimate hygiene
- › Prevents cross contamination Sensor mounted in end of spout
- › Designed to be front mounted for when rear access installation is not possible
- › Power Supply: *
- › Nominal Current: Less than 1mA (Less than 25mA with Bluetooth)
- › Nominal Power: Less than 1W
- › IP67 Connector

* See page 6 for power supply and other options

Product Codes

- DS312.L.125 > 125mm Projection
- DS312.L.150 > 150mm Projection
- DS312.L.175 > 175mm Projection

Coding Explained Style

- DS312.L 90° Bent Spout
- DS312.L.XXX

Projection

- 125/150/175mm
- DS312.L.XXX

Finish

- 1 Brushed Satin
 - 2 Mirror Polished
 - 3 PVD Brushed
 - 4 PVD Mirror
 - 5 Powder Coated
 - 6.Ceramic coated
- DS312.L.XXX.X

Colour

- Suffix to end of code
- (Number allocated by Dolphin Solutions)

Example Coding

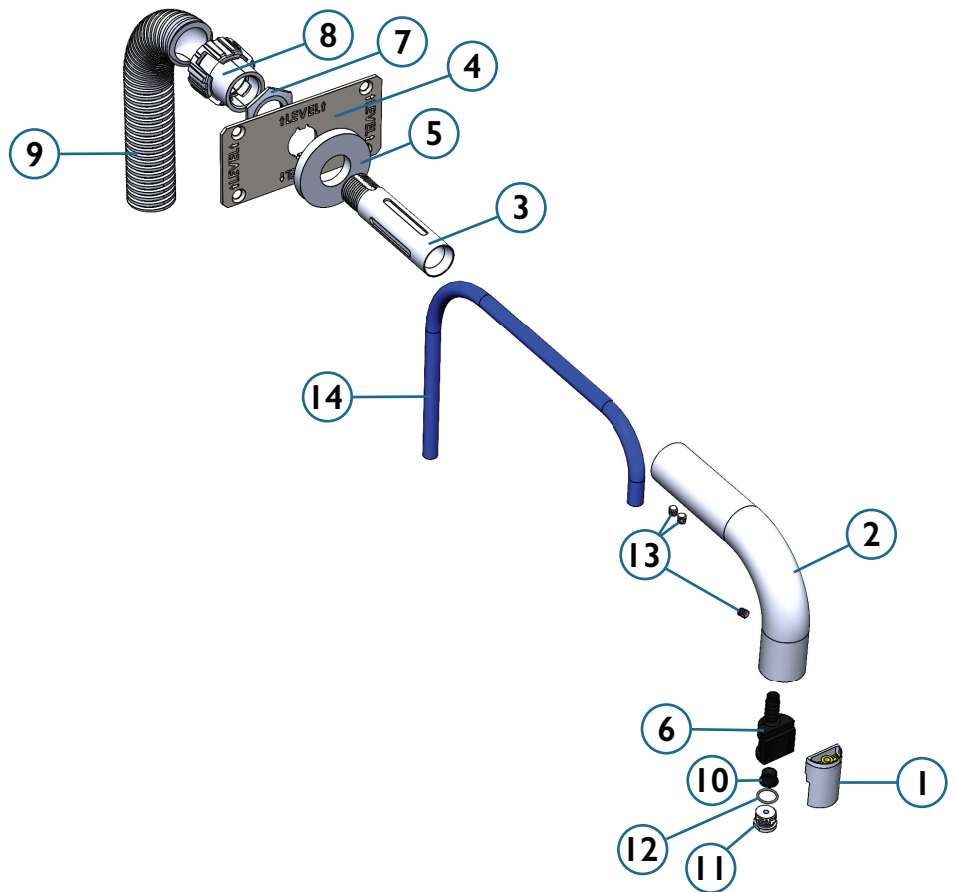
- DS312.L.150.1
- 90° Bent Spout
- 150mm Projection Brushed
- Satin Finish

Options

- Bluetooth 
- PVD
- Powder Coating

PACK CONTENTS

1. Sensor Housing
2. Body
3. Tail
4. Strataplate
5. Rosette
6. Nozzle Housing
7. Nut
8. Straight Conduit Adaptor
9. Conduit
10. Adaptor
11. Spout
12. Oring
13. Grub Screws
14. 6mm Tube Clear



Options



✓ ? Order 26040 seperately

Standard

PRE INSTALLATION

> Where possible check that all the components in the list above are present and that they are in good condition before installation. If any components are missing contact Dolphin Solutions.

WARNING

> Highly reflective surfaces directly beneath the sensor of this product, in particular polished finish basin wastes/strainers, will cause false activation of the infrared sensors and can result in malfunction. We recommend Satin or Matt finish products which can be found on our website.

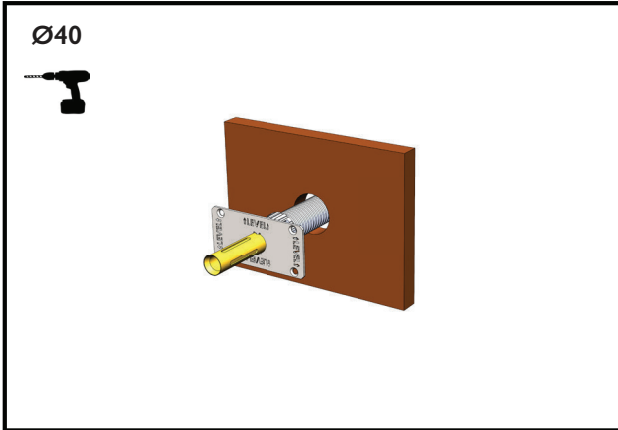
> Sitting water may also cause the tap to activate

> All Electrical installation must be carried out by a qualified person and in accordance with applicable codes and regulations.

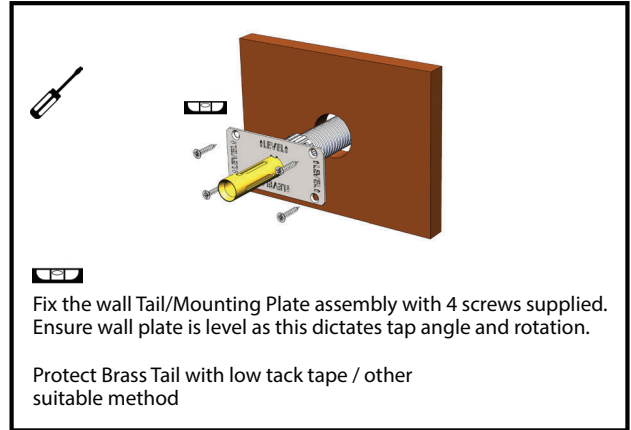
> Do not kink the supply hoses.

INSTALLATION

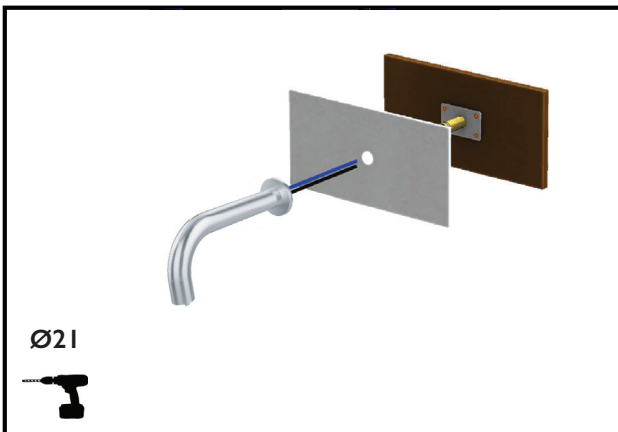
Step 1



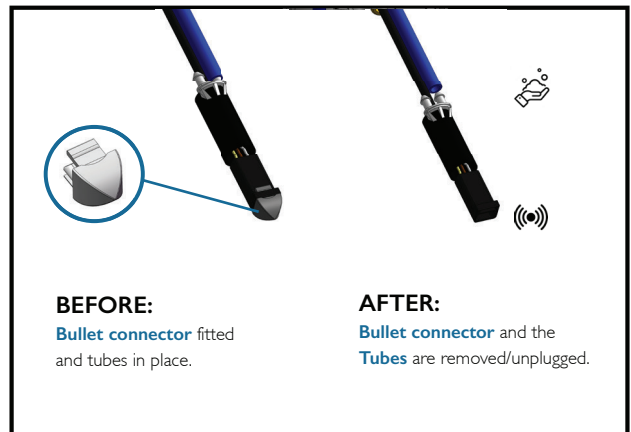
Step 2



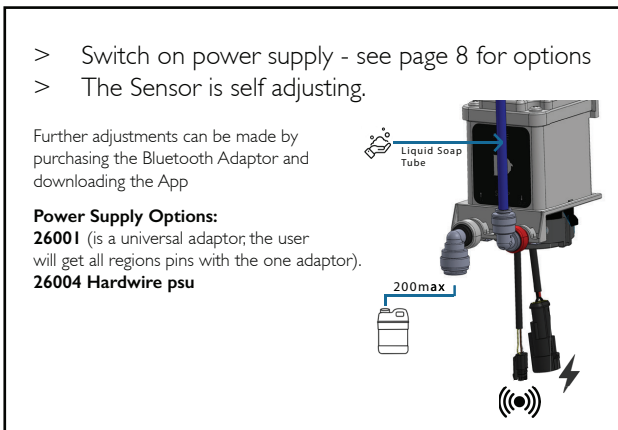
Step 3



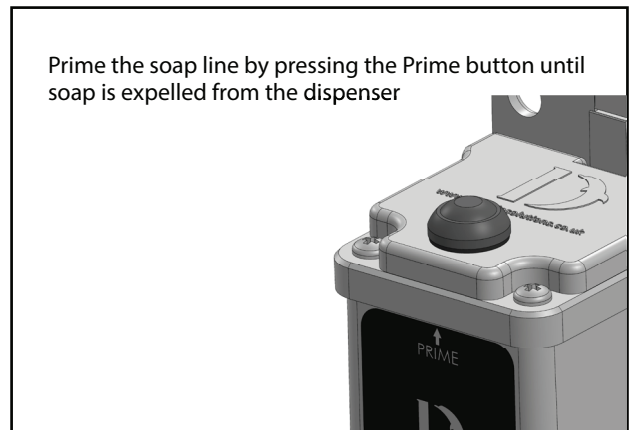
Step 4



Step 5

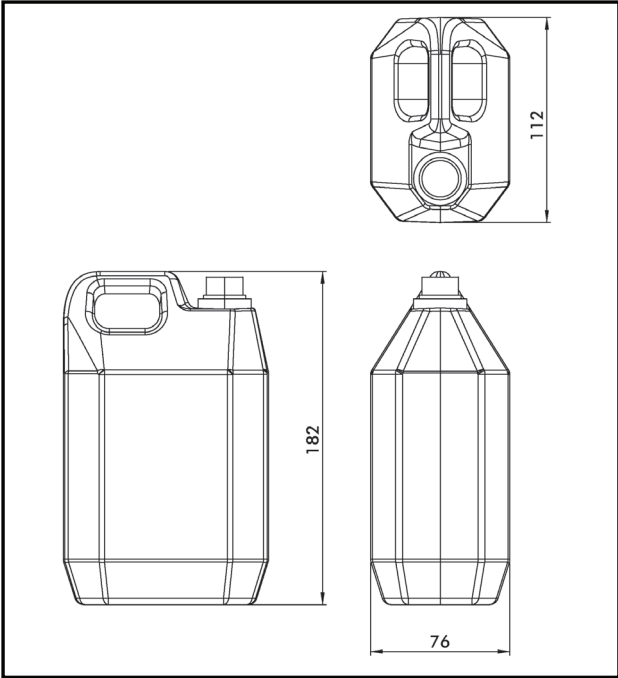


Step 6

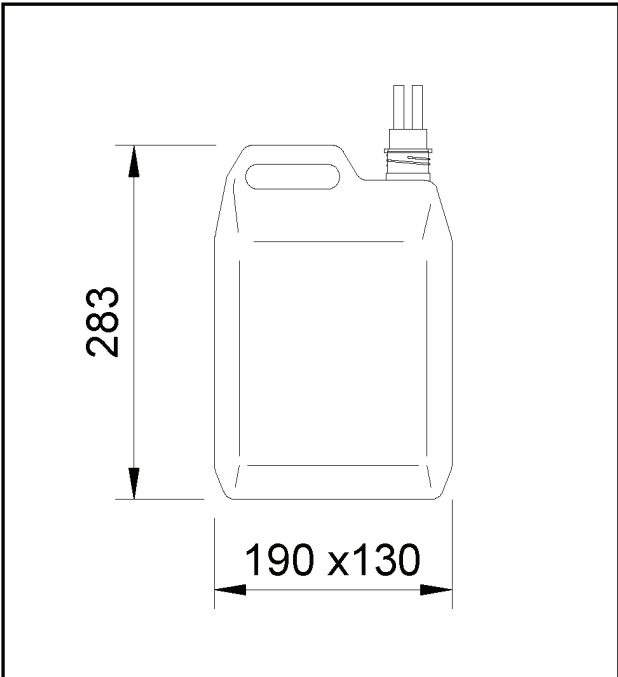


SOAP CONTAINER OPTIONS

1 Litre - Multi Feed



5 Litre - Multi Feed



MAINTENANCE

DO NOT use steel wool or cleansing agents containing alcohol, acid, abrasives or the like. Use of any prohibited cleaning or maintenance products or substances could damage the surface of the tap. For surface cleaning of Soap Dispenser use ONLY soap and water then wipe dry with a clean soft cloth. Protect Soap Dispenser from splattering of harsh cleaners when cleaning surroundings

POWER SUPPLY OPTIONS

MAINS ADPATOR PRODUCT CODE 26001

- Input voltage: 100 - 240V AC +/- 10%, 50 - 60 Hz
- Output voltage: 12V DC 1.0A 12.0W
- Standby Power Consumption 0.1W
- OUTPUT RIPPLE @At 20MHz, and output parallel a 47uF/50V electrolytic capacitors and a 0.1uF/50V ceramic capacitors 300mVp-p
- Certifications: IEC/EN62368
- 1m Cable

HARDWARE POWER SUPPLY PRODUCT CODE 26004

- Input voltage: 100 - 240V AC +/- 10%, 50 - 60 Hz
- Output voltage: 12V DC 1.0A 12.0W
- @At 20MHz, and output parallel
- Certifications:
- 1m Cable to m Cable (to Mains)

BATTERY PACK PRODUCT CODE 26007

- Requires a 6V lithium battery (CR-P2, approx. 1.500mAh) which has a lifetime of 200.000 switching cycles or 3-5 years depending on user frequency.
- 100mm Cable (Approx)
- Important note - the battery unit can't be used in combination with the Bluetooth adaptor.
- The battery unit contains the CR-P2 battery as delivery content.
- The housing enables a fixation on wall by using the mounting clips (part of the housing but screws are not included) or the rear affixed Velcro tape

BLUETOOTH ADAPTOR PRODUCT CODE 26040



Bluetooth® version 4.0

The of the app required for using the system must be installed on the control unit in advance. The App is available for free in the iTunes Store (requires an Apple account) and the Google Play store (requires a Google account).

For operation under adverse environments, in buildings / rooms with reinforced concrete walls, steel and iron frame, or near obstructions (eg furniture) made from metal, the Bluetooth reception can be disturbed and interrupted.

Bluetooth®

Power consumption: Less than 25mA

Output: Bluetooth®- Class 2

Bluetooth® - version: 4.0

Bluetooth® - Transmission distance: about 10m (depending on the environments)

Automatic safety shut-off: (10/20/60 seconds - adjustable) 20 s

Run-on time (0 - 10 s adjustable): 1s

Detection Range - Levels 1 to 10 (10 = 120mm approx) 10