

DC2006

DOLPHIN FLOOR MOUNTED WC PAN AND SEAT

INSTRUCTION MANUAL

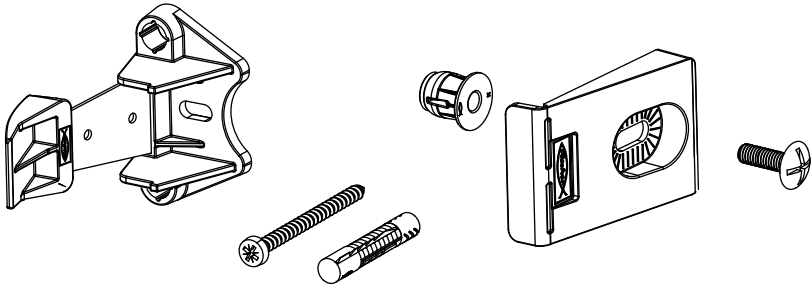


May 2024

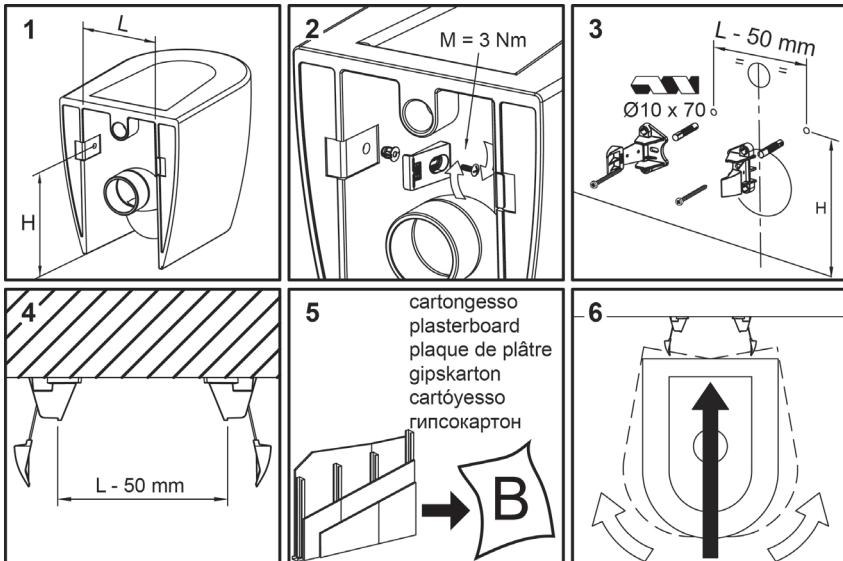
D
DOLPHIN

INSTALL DIAGRAM

THIS PACKAGE CONTAINS



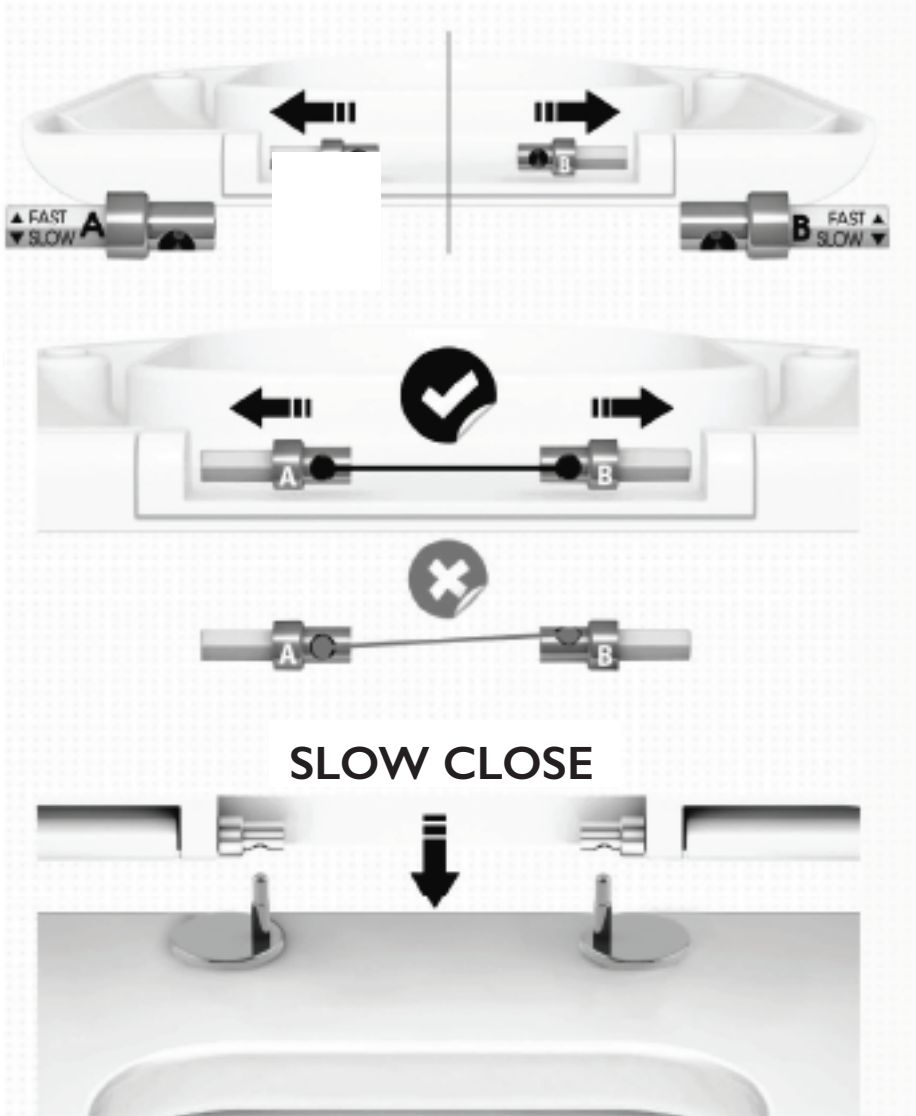
INSTALLATION



INSTALL DIAGRAM

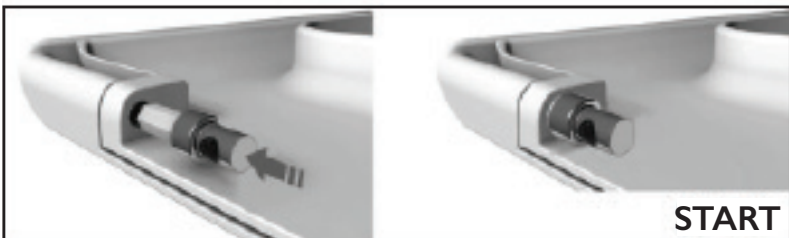
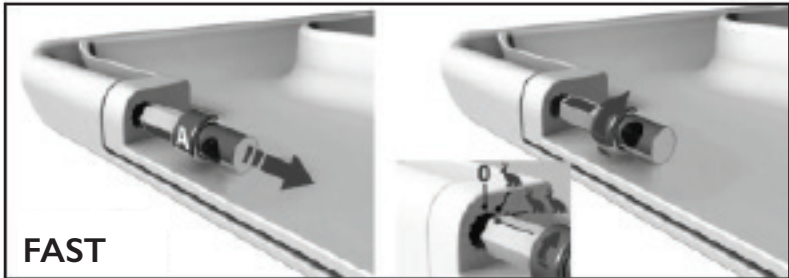
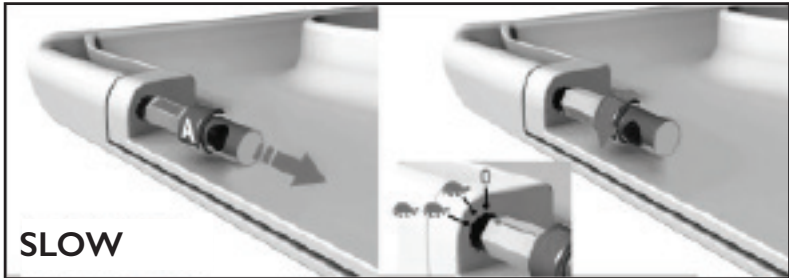


INSTALL DIAGRAM



INSTALL DIAGRAM

A (Seat) - Left



INSTALL DIAGRAM

B (Cover) - Right





Dolphin Solutions Ltd

Southpoint, Compass Park, Bodiam,
Robertsbridge, TN32 5BS

Tel: +44 (0)1424 20 22 24

Fax: +44 (0)1424 205 200

info@dolphinsolutions.co.uk

www.dolphinsolutions.co.uk