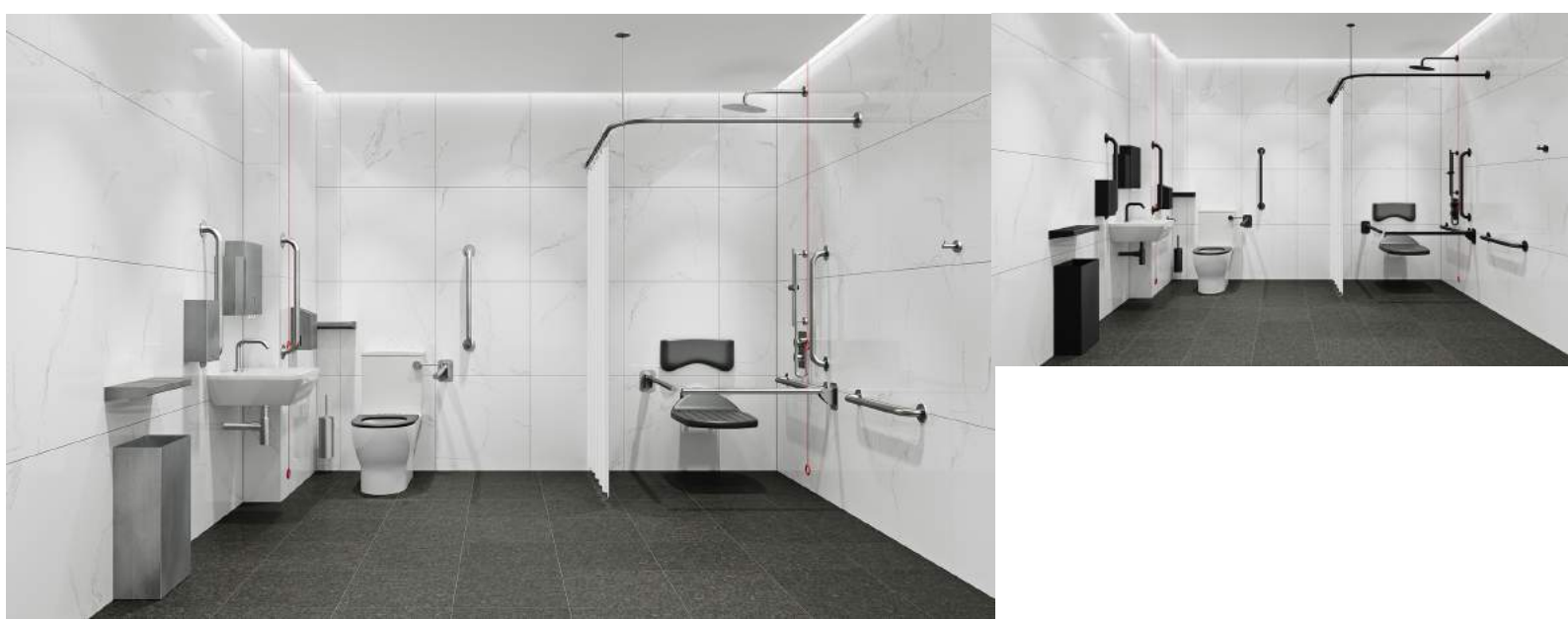


# FLANGED COMBINED DOC M PACK- CLOSE COUPLED TOILET

(Click on product code or page number to view Datasheet)

<b>BC5085-CCFC_B</b>		Page 2
<b>BC5085-CCFC_B Pack contains:</b>		
DS213.150.150 Tap x1	<a href="#">Page 3</a>	DB3100 Shower Valve x1 <a href="#">Page 23</a>
AL0220 TMV3 Thermostic Mixing Valve x1	<a href="#">Page 4</a>	DB3001 Shower Head x 1 <a href="#">Page 24</a>
DC1150 Basin x1	<a href="#">Page 5</a>	DB3061.350.1 Shower Arm x1 <a href="#">Page 25</a>
DB790-316 Waste Trap x1	<a href="#">Page 6</a>	DB3073 Shower Outlet x1 <a href="#">Page 26</a>
DB793 Waste Grate x1	<a href="#">Page 7</a>	DB3041 Shower Hose x1 <a href="#">Page 27</a>
BC4302 Toilet Tissue Dispenser x1	<a href="#">Page 8</a>	DB3020 Hand Held Shower Head x1 <a href="#">Page 28</a>
BC727 Toilet Brush x1	<a href="#">Page 9</a>	DB3090.450 Slider Rail and Holder x1 <a href="#">Page 29</a>
BC725 Coat Hooks x2	<a href="#">Page 10</a>	BC5083-11 Shower Curtain Rail x1 <a href="#">Page 30</a>
BC2385S Soap Dispenser x1	<a href="#">Page 11</a>	BC5083-12 Shower Curtain Rail Ceiling Stay x1 <a href="#">Page 31</a>
BC958 Paper Towel Dispenser x1	<a href="#">Page 12</a>	BC5083-14 Shower Curtains x2 <a href="#">Page 32</a>
BC2008 Hand Dryer x1	<a href="#">Page 13</a>	BC5083-13 Shower Curtain Hooks x24 <a href="#">Page 33</a>
BC951 Waste Bin x1	<a href="#">Page 14</a>	BC5083-34 Shower Back Rests x1 <a href="#">Page 34</a>
BC750 400mm shelf x1	<a href="#">Page 15</a>	BC5083-33 Shower Seat x1 <a href="#">Page 35</a>
BC5083-121 Alarm Pull Cord x2	<a href="#">Page 16</a>	HS11.50.72 Soap cartridge x 1 <a href="#">Page 36</a>
BC5083-02 Grab Bar 600 mm x7	<a href="#">Page 17</a>	
BC5083-01 Grab Bar 450 mm x1	<a href="#">Page 18</a>	
BC5083-06 Drop down hinged support rail x3	<a href="#">Page 19</a>	
DC1111 Toilet Seat ring - Grey Contrasting x1	<a href="#">Page 20</a>	
DC1100 Close Couple Toilet Pan and Cistern x1	<a href="#">Page 21</a>	
BC5083-101 Mirror 1000mm x 400mm x1	<a href="#">Page 22</a>	



**BC5085-CCFC\_B**

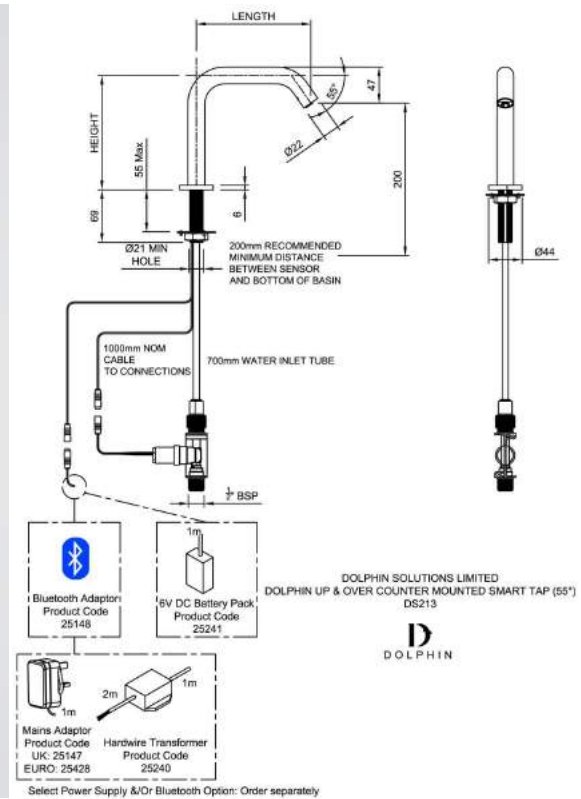
## FLANGED COMBINED SHOWER PACK – CLOSE COUPLED TOILET

- › Complete Pack includes all of the items needed to ensure compliance with Part M while keeping a consistent aesthetic throughout the washroom
- › To assist partially sighted persons there should be a contrast difference of 30 between the LRV (Light Reflective Value) of fixtures/fittings and surrounding surfaces as well as between floors, walls, doors and ceilings. Contact the Dolphin Technical Team for assistance
- › BC5085-CCFC Pack contains:
  - › DS213.150.150 Tap
  - › AL0220 TMV3 Thermostic Mixing Valve
  - › DC1150 Basin
  - › DB790-316 Waste Trap
  - › DB793 Waste Grate
  - › BC4302 Toilet Tissue Dispenser
  - › BC727 Toilet Brush
  - › BC725 Coat Hooks x2
  - › BC2385S Soap Dispenser
  - › BC958 Paper Towel Dispenser
  - › BC2008 Hand Dryer
  - › BC951 Waste Bin
  - › BC750 400mm shelf
  - › BC5083-121 Alarm Pull Cord x2
  - › BC5083-02 Grab Bar 600 mm x7
  - › BC5083-01 Grab Bar 450 mm
  - › BC5083-06 Drop down hinged support rail x3

- › DC1111 Toilet Seat ring - Grey Contrasting
- › DC1100 Close Couple Toilet Pan and Cistern(no backrest required)
- › BC5083-101 Mirror 1000mm x 400mm
- › DB3100 Shower Valve
- › DB3001 Shower Head
- › DB3060-200 Shower Arm
- › DB3073 Shower Outlet
- › DB3041 Shower Hose
- › DB3020 Hand Held Shower Head
- › DB3090.450 Slider Rail and Holder
- › BC5083-11 Shower Curtain Rail
- › BC5083-12 Shower Curtain Rail Ceiling Stay
- › BC5083-14 Shower Curtains x2
- › BC5083-13 Shower Curtain Hooks x24
- › BC5083-34 Shower Back Rests
- › BC5083-33 Shower Seat
- › HSI1.50.72 Soap cartridge x 1
- › WRAS certification numbers
  - › AA0100 : 1907010
  - › DB3100 : 1911347
  - › DB3001 : 2003342
  - › DB3060.200 : 2003371
  - › DB3041 : 1904081

NOTE: This pack should only be considered compliant when installed in line with B58300 and Document Part M requirements





**DS213**

# DOLPHIN SLIMLINE INFRARED BASIN TAP

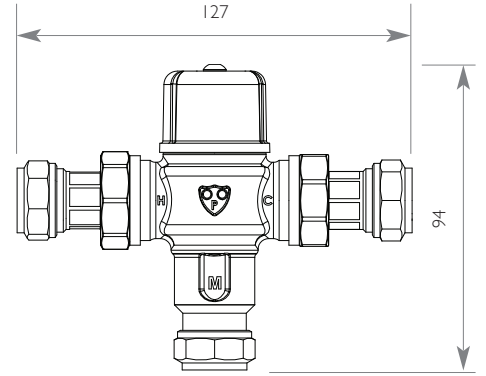
- › Dolphin Up and Over Thru Counter Mounted Inform Tap
- › Manufactured from high-quality, highly durable 1.4401 (316) Marine grade stainless steel
- › Self-monitoring analysis and recording technology (smart) allows the Facilities Manager to connect point to point via the Dolphin Inform App when used with the optional Bluetooth Adaptor (Sold separately – Order product code 25148 )
- › Infrared Touch Free Tap – for ultimate hygiene – prevents cross contamination – sensor mounted in end of 55° spout
- › Standard Flow rate – maximum nominal 3.0 litres/minute with the flow regulator (fitted adjacent to solenoid) at any pressure between 0.5 and 6.0 bar, but typically at 3 bar
- › Other flow rates available – 1.0 litre/minute, 2.0 litres/minute and 4.0 litres/minute – please specify clearly if one of these alternative flowrates are required.
- › Operating pressure: 0.5 bar minimum to 8.0 bar maximum
- › Water supply: single inlet cold or pre-mixed – a TMV2 or TMV3 thermostatic mixing valve is recommended for premixed applications
- › Maximum operating water temperature - 60°C
- › Nominal current: Less than 1mA (Less than 25mA with Bluetooth)
- › Nominal power: Less than 1W
- › Security time can be adjusted via the App – default 20 seconds (60 seconds max)
- › IP68 connector
- › Power Source: Plug-in 9 Volt transformers, hard wired transformers, or battery packs
- › Recommended minimum distance between sensor and the bottom of basin = 200mm
- › WRAS approved
- › Comes with laminar flow feature to avoid splashing
- › Comes as standard with 24 hour line purge/hygiene flush feature, with alterable timings

<b>HEIGHT</b>	<b>150/200MM</b>
<b>PROJECTION</b>	<b>150/200MM</b>
<b>DIAMETER</b>	<b>22MM</b>



NOTE: Highly reflective surfaces directly beneath the sensor of this product, in particular polished finish basin wastes/strainers, will cause false activation of the infrared sensors and cause malfunction.

TECHNICAL HELPLINE 01424 202224  
DOLPHINSOLUTIONS.CO.UK

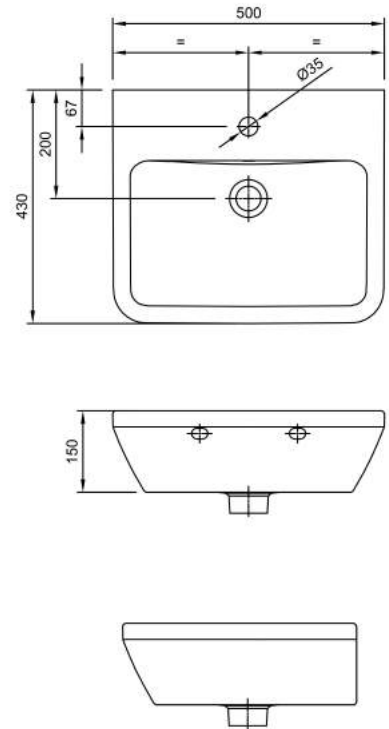


AL0220

## DOLPHIN TMV3 INTEGRATED THERMOSTATIC MIXING VALVE

- › WRAS Approved product
- › Anti scald mixing valves are designed to eliminate the risk of scalding and are suitable for use in a wide range of public health care, social, commercial and domestic applications.
- › Temperature pre-set to 43°C, but easily adjustable on site. Temperature range 38°-46°C.
- › Working pressure 0.2-10bar.
- › BS7942
- › BS EN 1111:2001
- › BS EN 1287:2001
- › When used as TMV3 valve meets the requirements of NHS model engineering specification DO8.
- › Supplied with pre fitted strainers and non return valves.
- › UK manufactured
- › WRAS Approved product certificate number – 1907010

<b>WIDTH</b>	<b>127 MM</b>
<b>HEIGHT</b>	<b>94 MM</b>

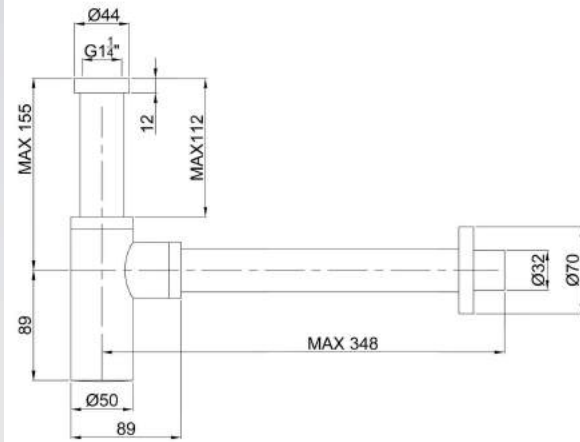


DC1150

## DOLPHIN WALL HUNG BASIN - CENTRE TAP HOLE

- > Dolphin square basin in white
- > Central 35mm tap hole
- > Intended for use with slotted waste, e.g. DB791 or DB793
- > With overflow hole

<b>WIDTH</b>	<b>500MM</b>
<b>HEIGHT</b>	<b>150MM</b>
<b>PROJECTION</b>	<b>430MM</b>
<b>TAP HOLE DIAMETER</b>	<b>35MM</b>



**DB790**

## DOLPHIN BLUE WASTE TRAP

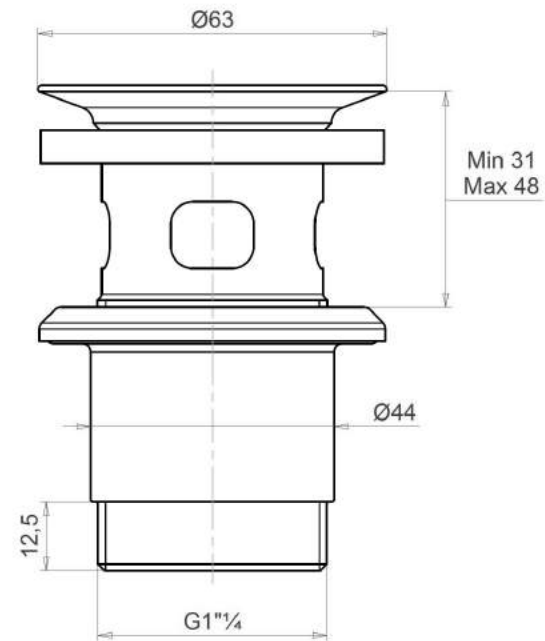
- › 32mm / G1 1/4" high quality chrome-plated brass bottle trap
- › Also available in 316 stainless steel
- › Suitable for sinks and basins.
- › Telescopic, with a 70mm wall seal
- › Waste outlet length: maximum 348mm
- › Product Height: 20-112mm telescopic
- › Waste inlet and outlet tubes can be cut down to fit smaller dimensions
- › Bottle Diameter: 50mm

### PRODUCT CODES

**DB790S** - Chrome plated brass trap, satin finish

**DB790C** - Chrome plated brass trap, polished finish

**DB790-316** - 316 Stainless steel trap, satin finish



**DB793S**

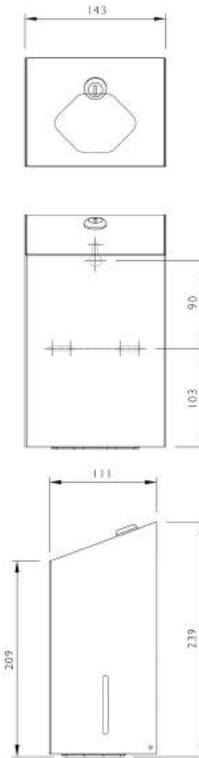
## DOLPHIN BLUE WASTE DRAIN - SLOTTED

- › High quality chrome plated brass construction
- › Brushed satin and mirror polish finishes available
- › Also available with powder coating in any RAL colour (enquire for more detail)
- › Designed for fitting with a sink with an overflow

### PRODUCT CODES

**DB793S** - Satin slotted waste drain

**DB794S** - Satin unslotted waste drain



**BC4302**

## DOLPHIN BULK PACK TOILET TISSUE DISPENSER

- > Lockable
- > Also available in brushed satin, mirror polish finish and with powder coating in any RAL colour (enquire for more detail)
- > High quality stainless steel
- > Inter-leaved toilet tissue dispenser
- > Ideal for accessible washrooms

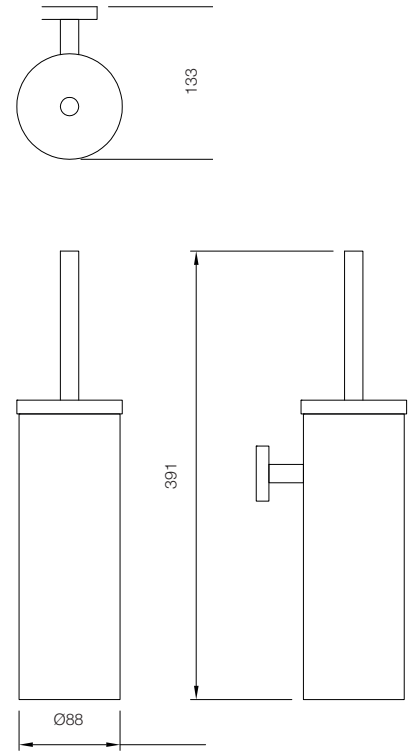
<b>PROJECTION</b>	<b>111MM</b>
<b>HEIGHT</b>	<b>239MM</b>
<b>WIDTH</b>	<b>143MM</b>

### PRODUCT CODES

**BC4302** - Brushed satin finish

**BC4302B** - Mirror polished finish



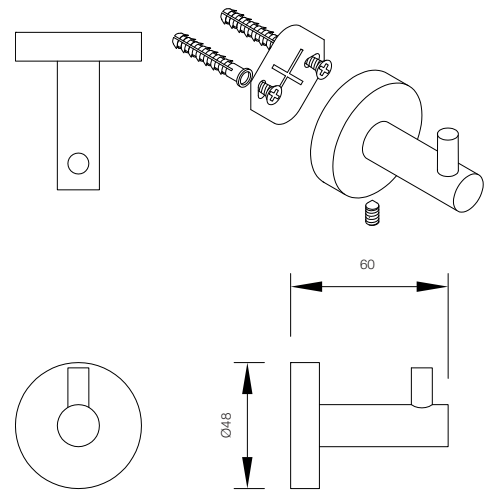


BC727

## DOLPHIN TOILET BRUSH SET

- › Timeless design for prestigious appearance in high class environments
- › 304 stainless steel for easy care and durability
- › Robust 'hidden fix' anti-rotation wall plate fixing for secure anti-theft mounting
- › Available in satin (brushed) stainless steel to compliment other Dolphin products
- › Replaceable nylon brush head
- › Plastic inner container; removeable for emptying/cleaning

<b>HEIGHT</b>	<b>133 MM</b>
<b>DIAMETER</b>	<b>88 MM</b>



**BC725**

## DOLPHIN SINGLE ROBE HOOK

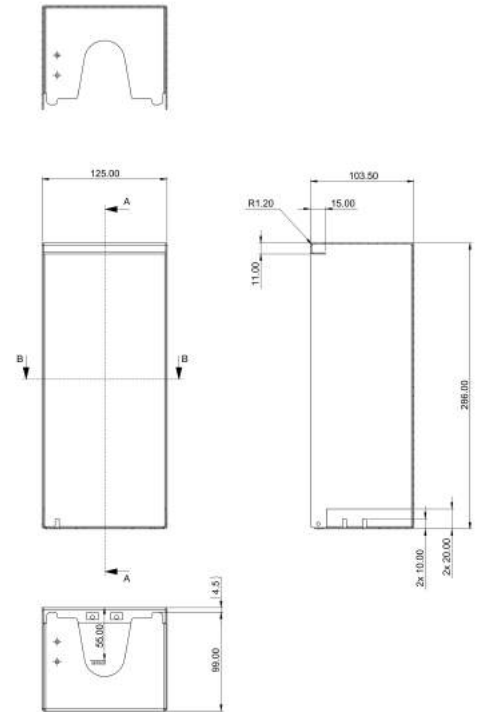
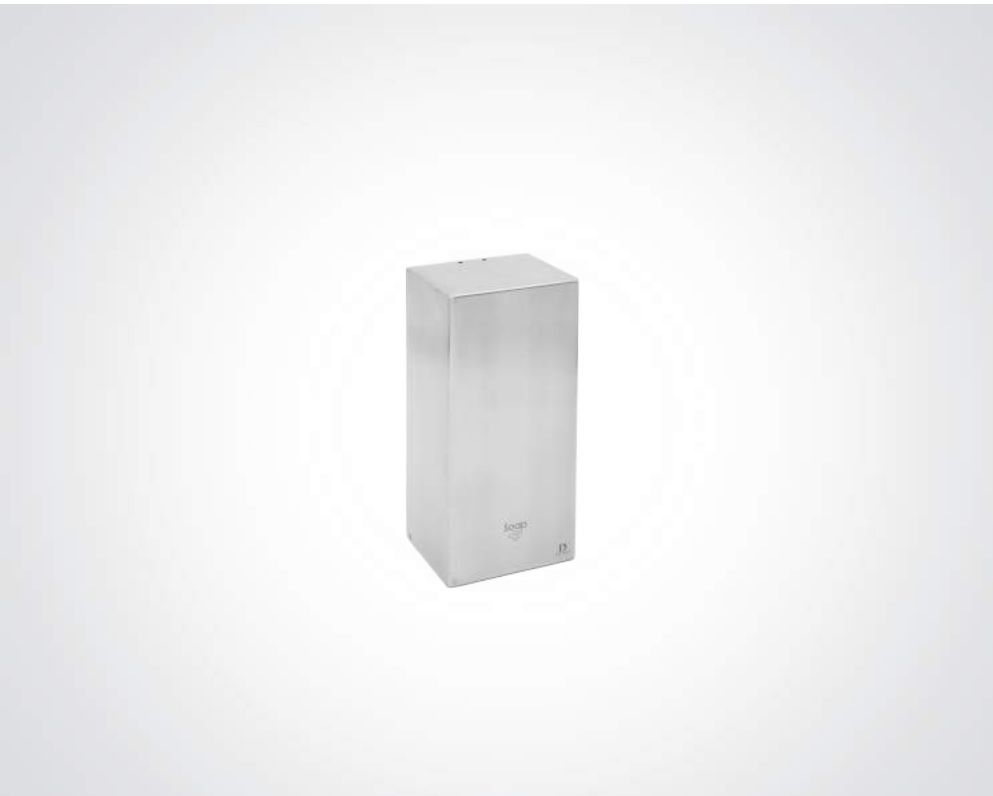
- > Timeless design for prestigious appearance in high class environments
- > 304 stainless steel for easy care and durability
- > Robust 'hidden fix' anti-rotation wall plate fixing for secure anti-theft mounting
- > Available in satin (brushed) stainless steel to compliment other Dolphin products

**DIAMETER** 48 MM  
**PROJECTION** 60 MM

**PRODUCT CODES**

- > Double hook see

**BC726**

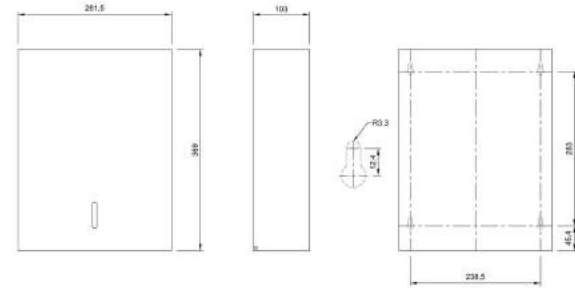


**BC238SS**

## DOLPHIN INFRARED CARTRIDGE SOAP DISPENSER

- > Touch-free automatic cartridge dispenser
- > Manufactured in the UK
- > 1 ltr cartridges – to be purchased separately
- > Compatible cartridges available Dolphin codes:
  - > • HSI 3.50.90 Alcohol Liquid Sanitiser
  - > • HSI 1.50.73 Non-Alcohol Foaming Sanitiser
  - > • HSI 3.50.81 Antibac Lotion Soap
  - > • HSI 1.50.72 Antibac Foam Soap
- > Constructed from 304 stainless steel
- > Lockable
- > Battery powered (4 x c cell required)- Batteries not included
- > 50,000 operation battery life
- > Sensor tested to 1 million activations
- > This dispenser should be mounted with at least 200mm away from any surface below to prevent false activations

<b>WIDTH</b>	<b>125MM</b>
<b>HEIGHT</b>	<b>286MM</b>
<b>PROJECTION</b>	<b>103.5MM</b>
<b>PROJECTION TO SENSOR</b>	<b>55MM</b>

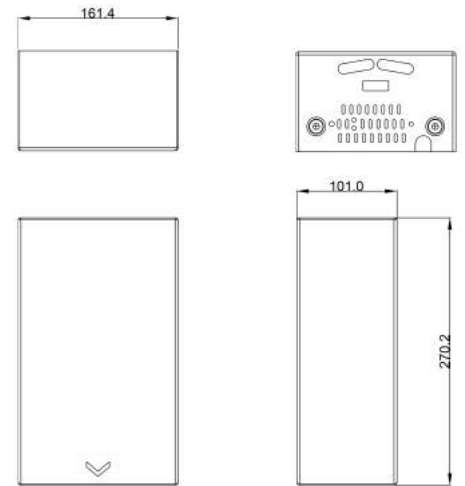
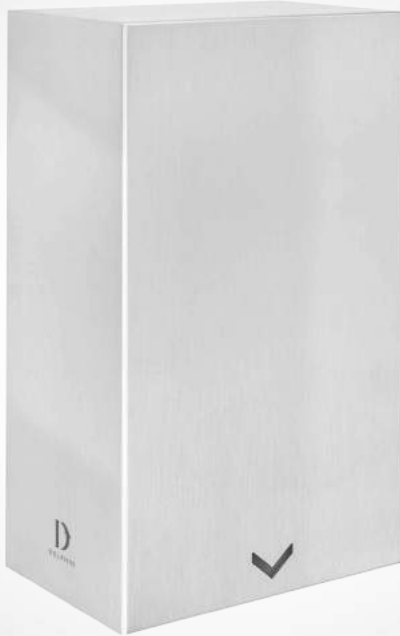


**BC958**

## **DOLPHIN STAINLESS STEEL PAPER TOWEL DISPENSER**

- › Lockable paper towel dispenser
- › Constructed from high quality 304 stainless steel
- › Flush lock to facilitate easier cleaning
- › Holds approximately 400 C-fold or interfold towels
- › Also available in a mirror polish stainless steel finish or powder coated to a RAL colour of your choice

**HEIGHT 369MM**  
**WIDTH 282MM**  
**PROJECTION 103MM**



**BC2008**

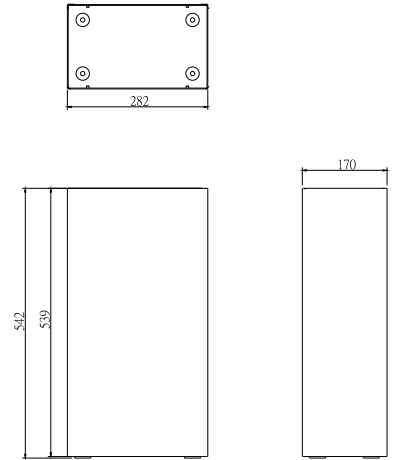
## DOLPHIN HIGH SPEED MINI-ECONOMY HAND DRYER

- › Total Power 500-900W, Stand-by power less than 0.5W
- › Motor 250/450W
- › Heater 250-450W
- › Sound level 76.6dB @ 1 metre
- › IP Rating IP24, suitable for use in wet areas
- › Motor rpm 29000
- › Air Speed 342-414 km/h
- › Air Volume 80 m<sup>3</sup>/h
- › Brush Life 288k uses (10 seconds)
- › Weight 3.3 kg
- › Certificate UL/cUL, CE, GS, RoHS, CB
- › 3 Year limited warranty
- › Dries hands in only 10-12 seconds with heater on and full speed, dramatically reducing CO<sub>2</sub> emissions
- › Cover – satin stainless steel
- › Backplate – electro-galvanised commercial steel for excellent vandal-resistance
- › Adjustable Speed and Sound Control
- › Heater on/off switch
- › Blue LED light indicator optimises drying efficiency
- › Cut-Off Time 60 seconds
- › Carbon filter with S/S holder

<b>HEIGHT</b>	<b>270.1MM</b>
<b>WIDTH</b>	<b>161.4MM</b>
<b>PROJECTION</b>	<b>101MM</b>

**PRODUCT CODES**

- BC2008** - High speed mini economy hand dryer
- BC2009** - High speed mini economy hand dryer with HEPA filter

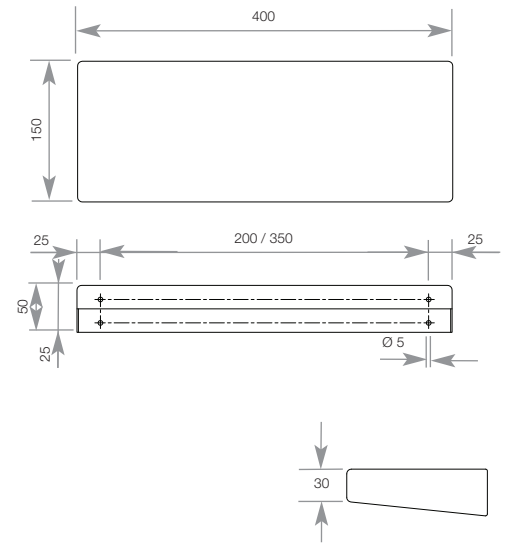


**BC951**

## **DOLPHIN STAINLESS STEEL FREE STANDING / SURFACE MOUNTED BIN**

- > High Quality stainless steel
- > Wall Mounted or Free Standing option
- > Open Top
- > 24 litre capacity
- > Comes with plastic liner

<b>HEIGHT</b>	<b>542 MM</b>
<b>WIDTH</b>	<b>282 MM</b>
<b>PROJECTION</b>	<b>170 MM</b>



BC750

## DOLPHIN STAINLESS STEEL SHELF

- > Prestige quality
- > Vandal proof
- > Ideal for public or prestigious washrooms
- > Suitable for disabled washrooms

HEIGHT	45 MM
WIDTH	400 MM
PROJECTION	150 MM

### PRODUCT CODES

- > For 250mm long version see

BC751



**BC5083-121**

## STAINLESS STEEL DISABLED ALARM SYSTEM WITH PULL CORD

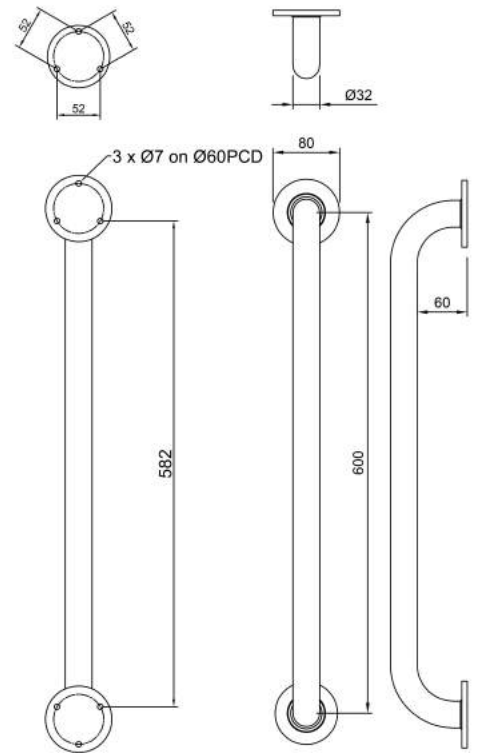
- › Essential for every public accessible washroom
- › Included in all Dolphin Doc M shower and WC room sets
- › Available in white plastic or satin stainless steel
- › Doc M compliant

### PRODUCT CODES

**BC5083-120** - White Plastic Disabled Alarm System With Pull Cord

**BC5083-121** - Stainless Steel Disabled Alarm System With Pull Cord





BC5083-02

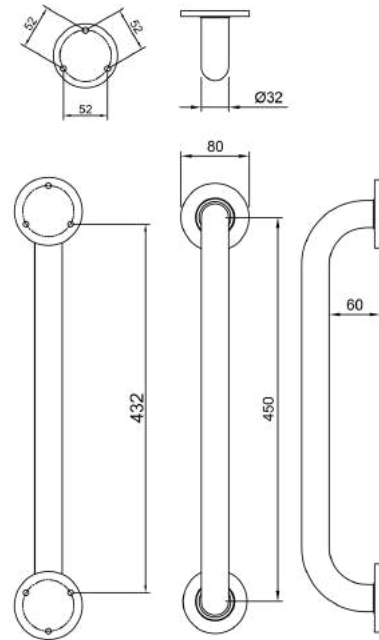
## DOLPHIN STAINLESS STEEL GRAB RAIL

- > High quality satin stainless steel
- > 32mm diameter
- > Concealed fixings
- > The BC5083-02 grab rail has been tested for a load bearing capacity in excess of 200kg in accordance with BS EN 12182:2012 section 16.2

LENGTH	600MM
PROJECTION	92MM
INSIDE PROJECTION	60MM
DIAMETER	32MM

### PRODUCT CODES

- BC5083-01 - Dolphin 450mm grab rail
- BC5083-02 - Dolphin 600mm grab rail
- BC5083-04 - Dolphin 900mm grab rail



**BC5083-01**

## DOLPHIN 450MM STAINLESS STEEL GRAB RAIL

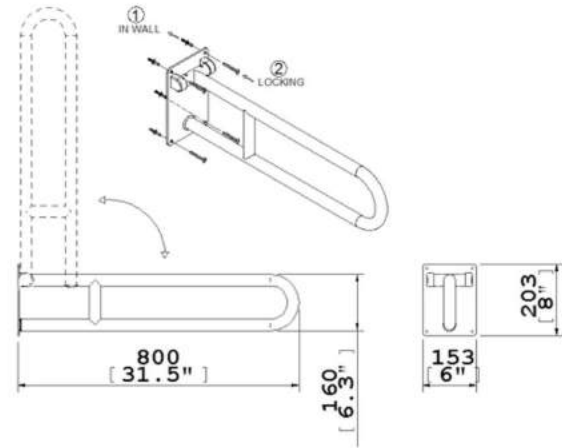
- > High quality satin stainless steel
- > 32mm diameter
- > Concealed fixings
- > The BC5083-01 grab rail has been tested for a load bearing capacity in excess of 200kg\* in accordance with BS EN 12182:2012 section 16.2

<b>LENGTH</b>	<b>450MM</b>
<b>PROJECTION</b>	<b>92MM</b>
<b>INSIDE PROJECTION</b>	<b>60MM</b>
<b>DIAMETER</b>	<b>32MM</b>

### PRODUCT CODES

- BC5083-01** - Dolphin 450mm grab rail
- BC5083-02** - Dolphin 600mm grab rail
- BC5083-04** - Dolphin 900mm grab rail

\*When fixed to a suitable surface



BC5083-06

## DOLPHIN DROP-DOWN GRAB RAIL

- > Made from high grade 304 Stainless Steel
- > Includes mounting hardware
- > Tested for a load bearing capacity in excess of 200kg in accordance with BS EN 12182:2012 section 16.2 and is suitable for performance as a grab rail

<b>WIDTH</b>	<b>153MM</b>
<b>HEIGHT</b>	<b>160MM</b>
<b>PROJECTION</b>	<b>800MM</b>
<b>FIXING HOLES</b>	<b>8MM</b>

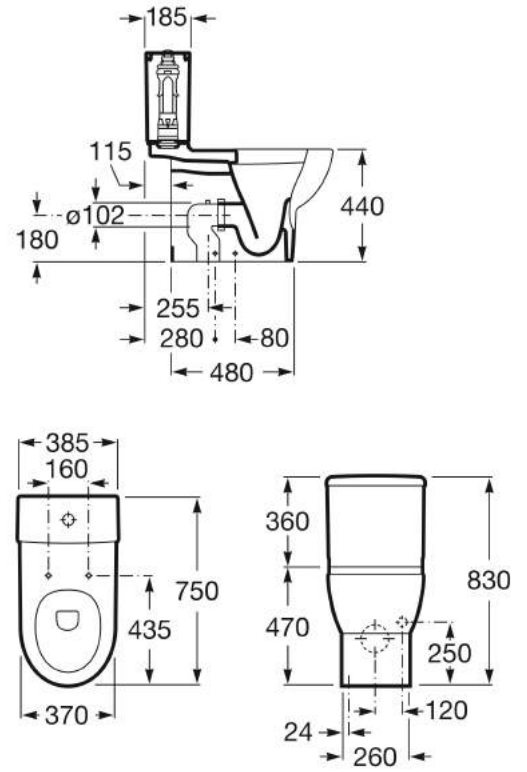


DC1111

## TOILET SEAT RING

---

> Access Seat

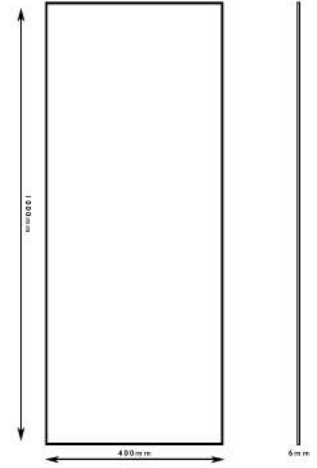
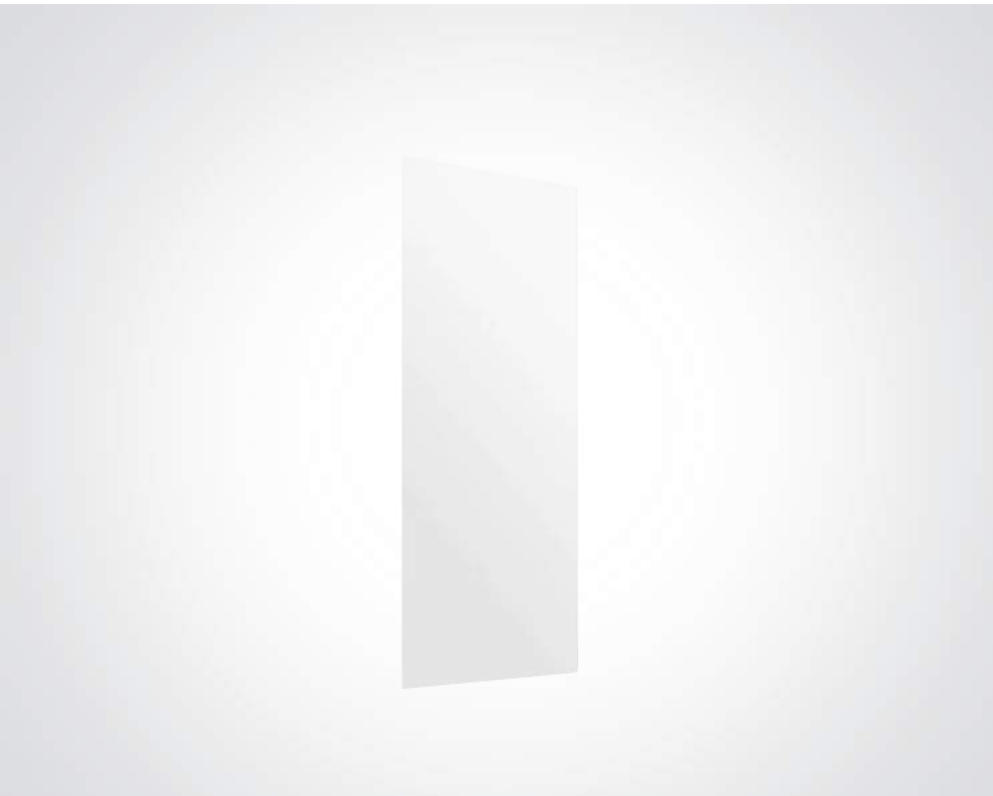


DC1100

## DOLPHIN 750MM CLOSE COUPLED WC AND CISTERN

- > 750mm projection for ease of transfer for wheelchair
- > Stylish design to be in keeping with other washrooms
- > Dual flush 6/3 litres
- > Supplied complete with cistern and fittings
- > Doc M compliant

HEIGHT	830MM
PROJECTION	750MM

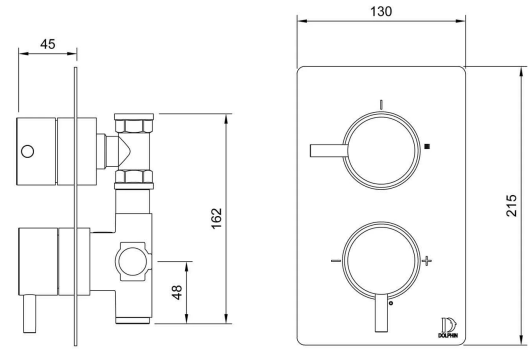
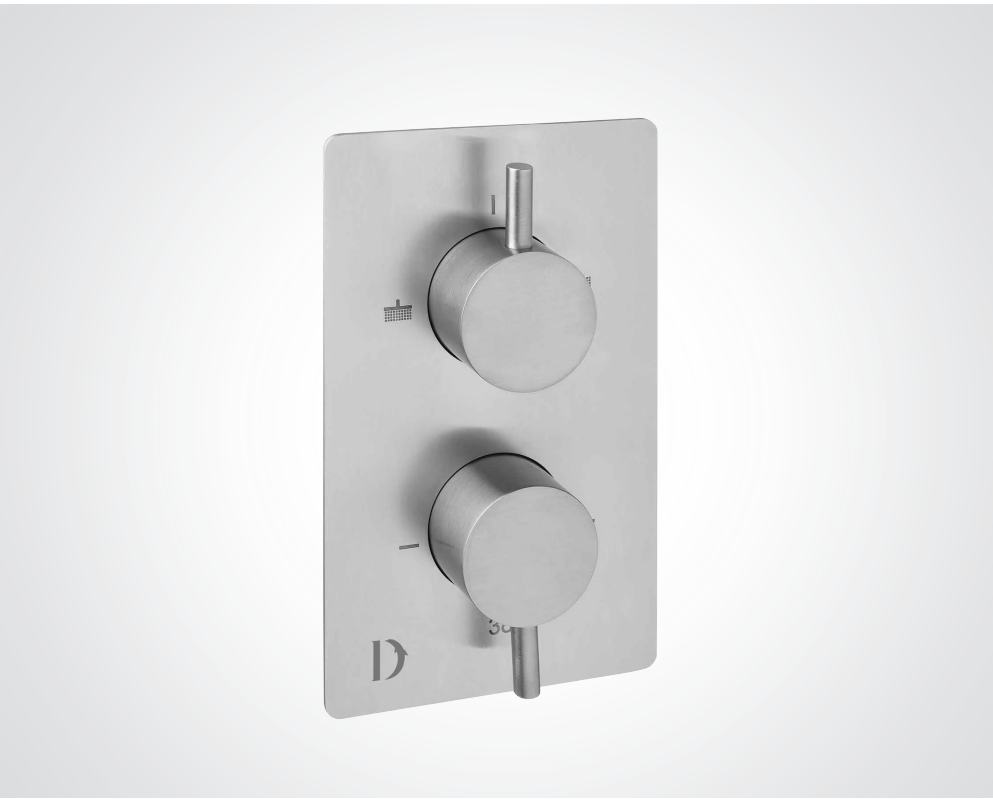


**BC5083-101**

## **DOLPHIN SAFETY BACKED MIRROR**

- > Safety backed glass mirror
- > Suitable for accessible washrooms and shower rooms
- > 1000mm x 400mm x 6mm
- > Frameless
- > Bespoke options available

<b>HEIGHT</b>	<b>1000MM</b>
<b>WIDTH</b>	<b>400MM</b>
<b>THICKNESS</b>	<b>6MM</b>



**DB3100**

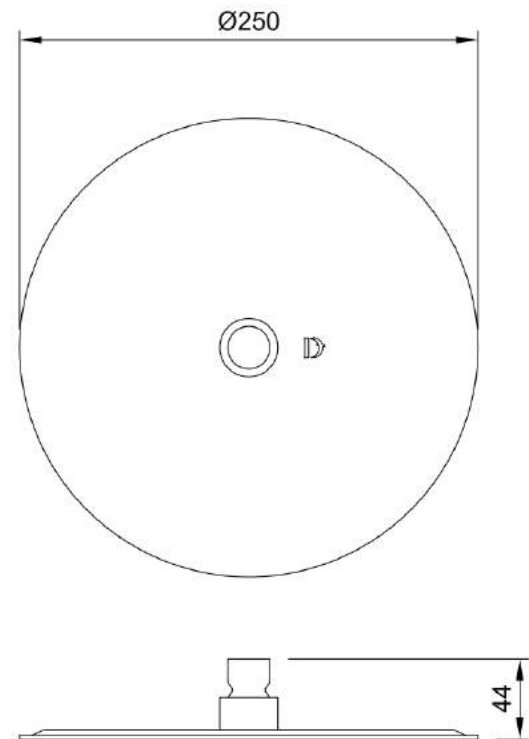
## DOLPHIN BLUE SHOWER VALVE

- > Dolphin Blue Shower Valve with Thermostatic Temperature Control and Two-Ways Diverter
- > Minimalist design with slimline rectangular face plate
- > TMV3 thermostatic temperature control maintains consistent, comfortable showering temperature whilst ensuring against scalding
- > 30mm levers on the DB3100 version (As shown above) allow operation even with a clenched fist ideal for installation in accessible areas
- > Two outlets (two-ways diverter) for connection to an fixed shower head and hand held shower head with hose (sold separately)
- > Single outlet (headworks) also available for either fixed shower head OR hand held shower head with hose – see DB3200
- > Complements most of our other Dolphin taps and fittings
- > Available in both Satin and Chrome finishes
- > High quality brass and stainless steel construction with highest quality cartridges and mechanisms from market leading specialist manufacturers from within Europe to ensure robust and reliable performance in high demand commercial locations
- > Suitable for all water systems > 5 year parts and labour guarantee

<b>WIDTH</b>	<b>130MM</b>
<b>HEIGHT</b>	<b>215MM</b>
<b>PROJECTION</b>	<b>45MM</b>

Note: To obtain an optimum function (regulation in conformance with the standards, absence of noise or hydraulic vibrations), we recommend a limiting of the hot/cold inlet pressures to 5 bar, with a difference of pressure between hot and cold not exceeding 2 bar. This pressure should be a constant (therefore the dynamic rather than static pressure) and avoid pressure fluctuations caused by pumps cycling.





**DB3001**

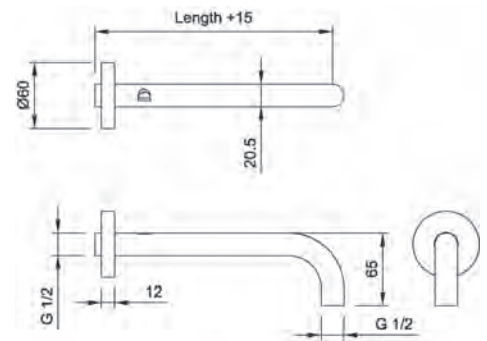
## DOLPHIN BLUE ROUND SHOWER HEAD

- > Ultra-thin round shower head at 250mm wide with safety valve (Shower Head Only)
- > 2 Flow Regulators included to provide 6 or 9 Litres per minute @ 3 bar
- > 5 Litre per minute flow regulator also available on request
- > 88 Nozzles
- > WRAS Approved
- > Fits DB3060 Ceiling Mounted Arm, DB3061 Wall Mounted Arm and DB3062 Wall Mounted Arm (Supplied separately)
- > Complements most of our other Dolphin taps and fittings
- > Available in polished and satin brushed stainless steel, and can also be powder coated black (RAL9005 15% sheen)
- > High quality brass and stainless steel construction with highest quality cartridges and mechanisms from market leading specialist manufacturers from within Europe to ensure robust and reliable performance in high demand commercial locations
- > Suitable for all water systems
- > 2 year parts and labour guarantee

<b>WIDTH</b>	<b>250MM</b>
<b>HEIGHT</b>	<b>44MM</b>







**DB3061.350.I**

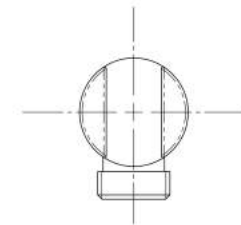
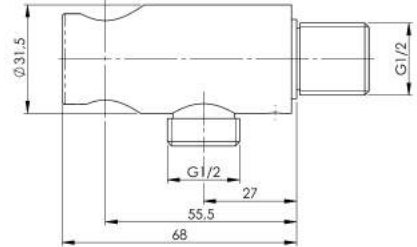
## DOLPHIN BLUE SHOWER ARM

- > Dolphin Blue Wall Mounted Shower Arm
- > Available in 4 lengths (See Product Codes)
- > WRAS Approved
- > Complements most of our other Dolphin taps and fittings
- > Available in both Satin and Chrome finishes
- > High quality brass construction
- > Suitable for all water systems
- > 2 year parts and labour guarantee

### PRODUCT CODES

- > DB3061.200.x(xx) 200mm
- > DB3061.250.x(xx) 250mm
- > DB3061.300.x(xx) 300mm
- > DB3061.350.x(xx) 350mm





**DB3073**

## DOLPHIN BLUE SHOWER WALL OUTLET & HOLDER

- › Dolphin Blue Wall Outlet and Holder with 1/2" BSP connection
- › Complements most of our other Dolphin taps and fittings
- › Available in both polished and satin/brushed finish Brass in the following colours – PVD in Bronze, Brass, Gold, Rose Gold, Black and Copper and Powder Coated in any RAL colour of your choice
- › High quality brass construction
- › Suitable for all water systems

### PRODUCT CODES

**DB3073.1** - Satin Stainless version

**DB3073.2** - Mirror polish version



**DB3041**

## DOLPHIN SHOWER HOSE

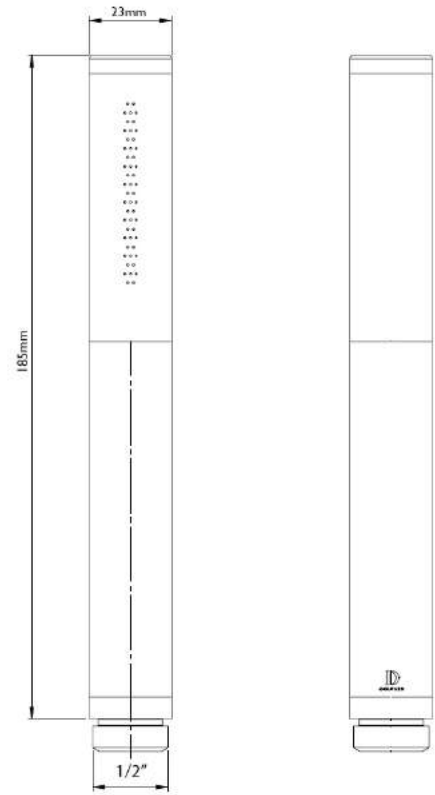
- > 150cm Long flexible stainless steel shower hose - designed to work with our DB3020
- > Prestigious design for high quality shower rooms
- > End nuts constructed from high grade 316 stainless steel, hose from 304 grade stainless steel and internal tube made of EPDM
- > WRAS approved

**LENGTH**                      **150CM**

### PRODUCT CODES

**DB3041** - Dolphin shower hose

**DB3020** - Dolphin Hand held shower head



**DB3020**

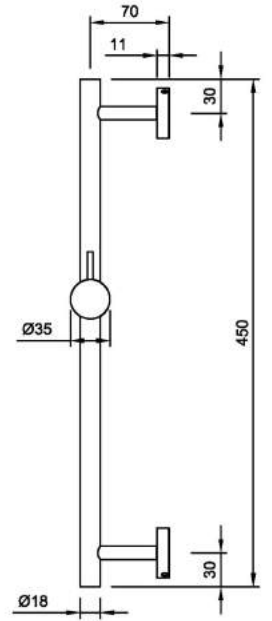
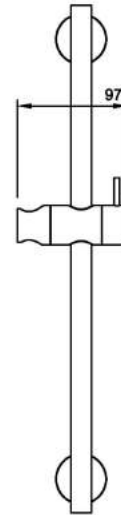
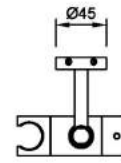
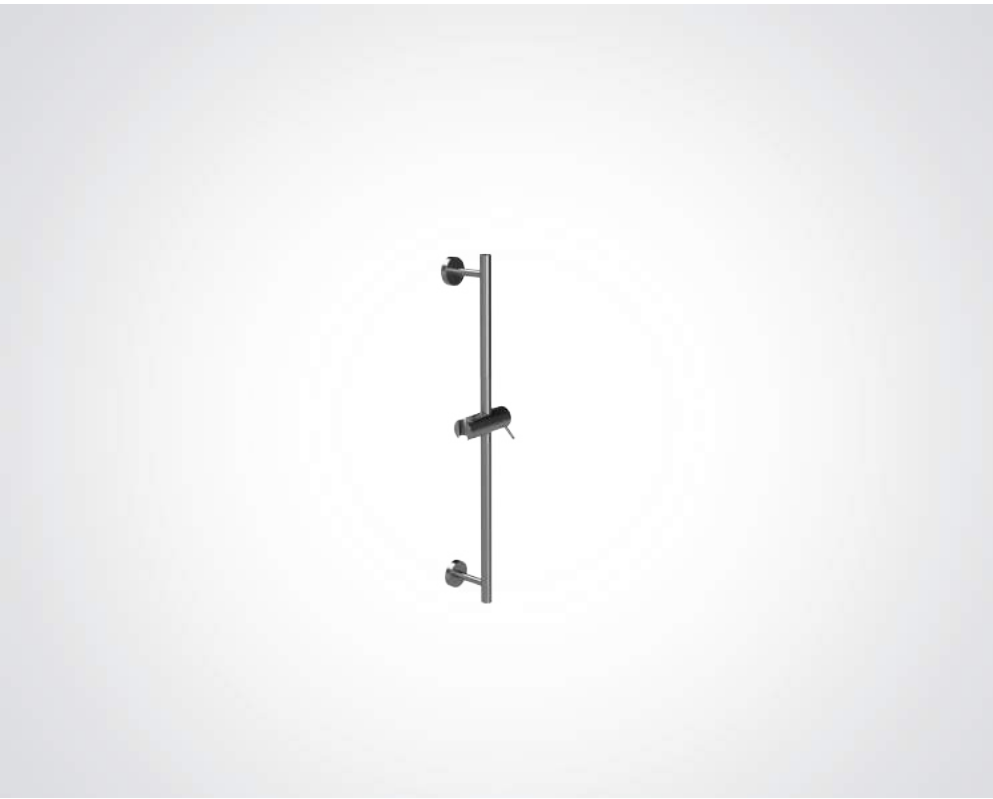
## DOLPHIN HAND HELD SHOWER HEAD

- > Constructed from high grade stainless steel
- > Available in satin and polished stainless steel finishes
- > To be used with DB3041 shower hose (purchased seperately)
- > 1/2" connection
- > Flow regulators for 6 litres per minute and 9 litres per minute included as standard (but not fitted)
- > Also available with flow regulators for 4 Litres per minute (DB58863410000) and 5 litres per minute (DB58863510000)

<b>HEIGHT</b>	<b>185MM</b>
<b>DIAMETER</b>	<b>23MM</b>

### PRODUCT CODES

- DB3020.1** - Satin stainless shower head
- DB3020.2** - Mirror polished shower head
- DB3020.3** - Satin PVD shower head
- DB3020.6** - Ceramic coated shower head
- DB3041** - Dolphin shower hose

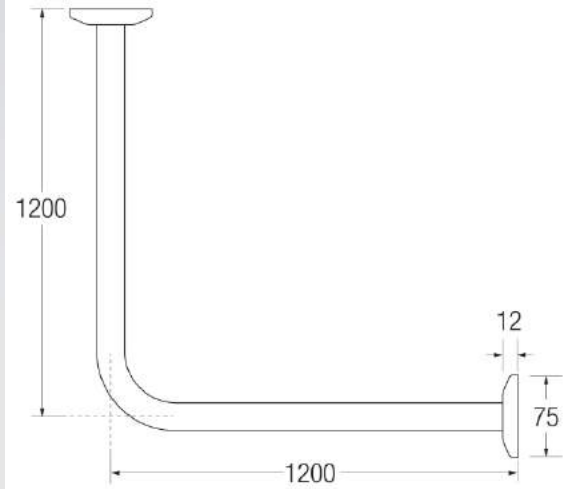
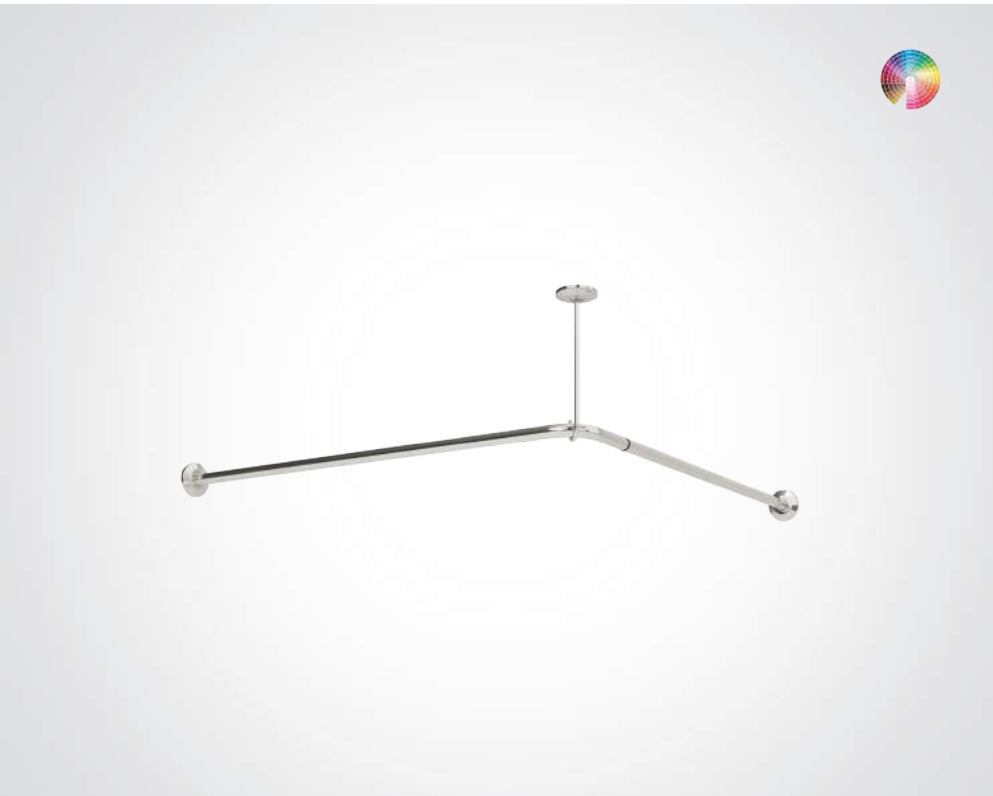


DB3090.450

## DOLPHIN BLUE SHOWER SLIDER RAIL AND HOLDER

- > Dolphin Blue Shower Slider Rail and Holder Assembly consisting of two wall mounting brackets with concealed fixings, riser rail and shower head holder
- > Complements most of our other Dolphin taps and fittings
- > Available to be ceramic coated
- > High quality brass construction
- > Suitable for all water systems
- > 2 year parts and labour guarantee

<b>WIDTH</b>	<b>97MM</b>
<b>RAIL DIAMETER</b>	<b>18MM</b>
<b>HEIGHT</b>	<b>450MM</b>
<b>PROJECTION</b>	<b>79MM</b>



BC5083-11 / BC5083-11-PSS

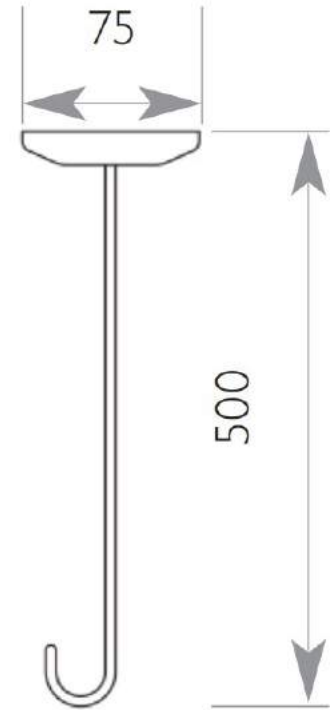
## DOLPHIN 1200MM X 1200MM SHOWER CURTAIN RAIL

- › Non-corrosive stainless steel construction
- › Concealed fixings
- › Bespoke lengths, shapes and sizes available
- › Doc M compliant
- › Ceiling stay (not included) available for purchase separately, code BC5083-12
- › For use with BC5083-13 curtain hooks and BC5083-14 shower curtain (not included)
- › Available in satin brushed and mirror polish finishes
- › Powder coated finishes in any RAL colour also available

<b>PROJECTION</b>	<b>1200MM</b>
<b>DIAMETER</b>	<b>25MM</b>
<b>HEIGHT FROM CEILING</b>	<b>500MM</b>

### PRODUCT CODES

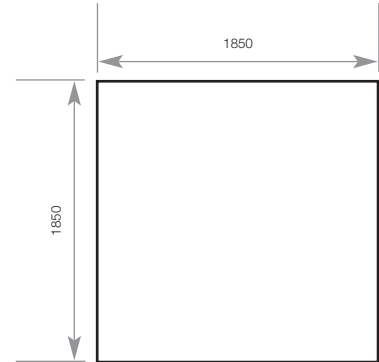
**BC5083-11** - Stainless Steel Shower Curtain Rail 1200mm x 1200mm Satin Brushed Finish  
**BC5083-11-PSS** - Stainless Steel Shower Curtain Rail 1200mm x 1200mm Mirror Polish Finish



**BC5083-12**

## **DOLPHIN SHOWER RAIL CEILING STAY**

- > High quality satin stainless steel construction
- > Use with BC5083-13 curtain hooks, BC5083-14 shower curtain, and BC5083-11 curtain rail (all supplied separately)



BC5083-14

## DOLPHIN SHOWER CURTAIN

- > White shower curtain
- > 4oz weighted white polyester
- > Hooks are not included with curtain
- > 12 hooks required per curtain

HEIGHT	1830 MM
WIDTH	1830 MM

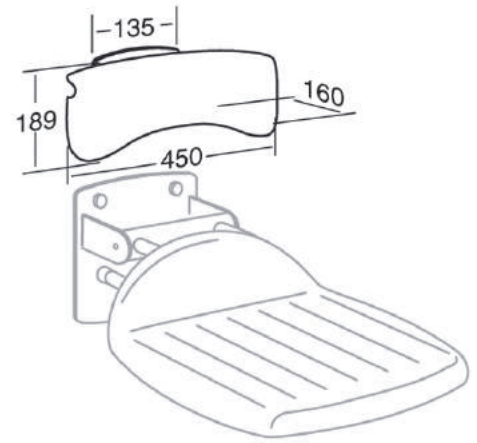
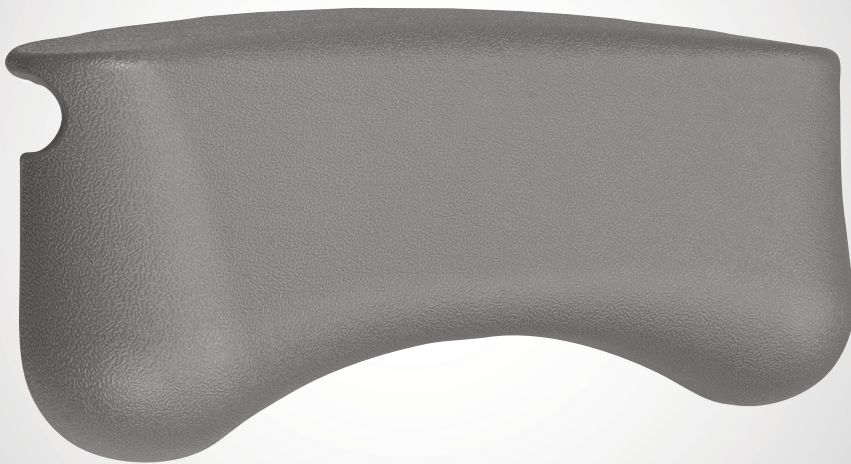




BC5083-13

## DOLPHIN CURTAIN HOOKS BRASS CHROME PLATED

› Use with BC5083-11 Dolphin corner shower rail



BC5083-34

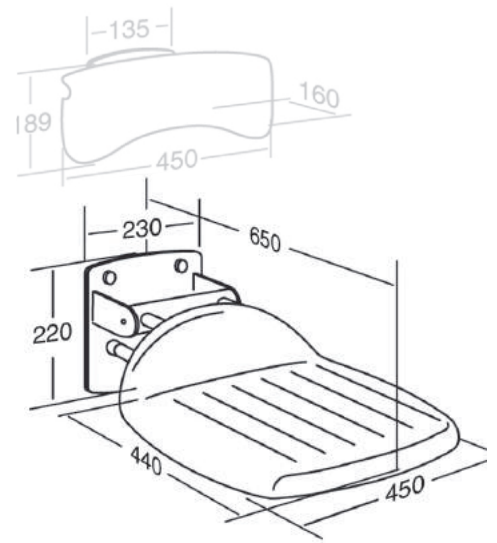
## DOLPHIN SHOWER BACK REST

- > Back rest for folding shower seat, back rest pale grey
- > Includes fixing kit for brick wall
- > Adjustability Fixed mounting
- > Materials The wall profile is made of diecast aluminium, and the backrest is made of vacuummoulded polyethylene (PE)
- > Dolphin five year warranty
- > See BC5083-33 for shower seat

<b>HEIGHT</b>	<b>189 MM</b>
<b>WIDTH</b>	<b>450 MM</b>
<b>PROJECTION</b>	<b>160 MM</b>

### PRODUCT CODES

- > BC5083-33 Dolphin Shower Seat
- > BC5083-34 Dolphin Shower Back Rest



BC5083-33

## DOLPHIN SHOWER SEAT

- > Back rest for folding shower seat, back rest pale grey
- > Includes fixing kit for brick wall
- > Fixed mounting
- > The wall profile is made of diecast aluminium, and the backrest is made of vacuum moulded polyethylene (PE)
- > Five year warranty
- > See BC5083-34 for shower back rest

HEIGHT	220 MM
WIDTH	450 MM
PROJECTION	650 MM

### PRODUCT CODES

- > BC5083-33 Dolphin Shower Seat
- > BC5083-34 Dolphin Shower Back Rest



HSI I.50.72

## ANTIBAC FOAM SOAP CARTRIDGE

- > An unperfumed foam hand cleaner, ideal for use where high standards of hygiene are required
- > Complies with BSEN 13727 - Suitable for use in food prep./catering areas, bars and hospital wards
- > 1,250+ uses per cartridge: 0.8ml Dosage
- > 6 x 1 ltr cartridges
- > For the BC238SS Dispenser
- > Manufactured and filled in the UK