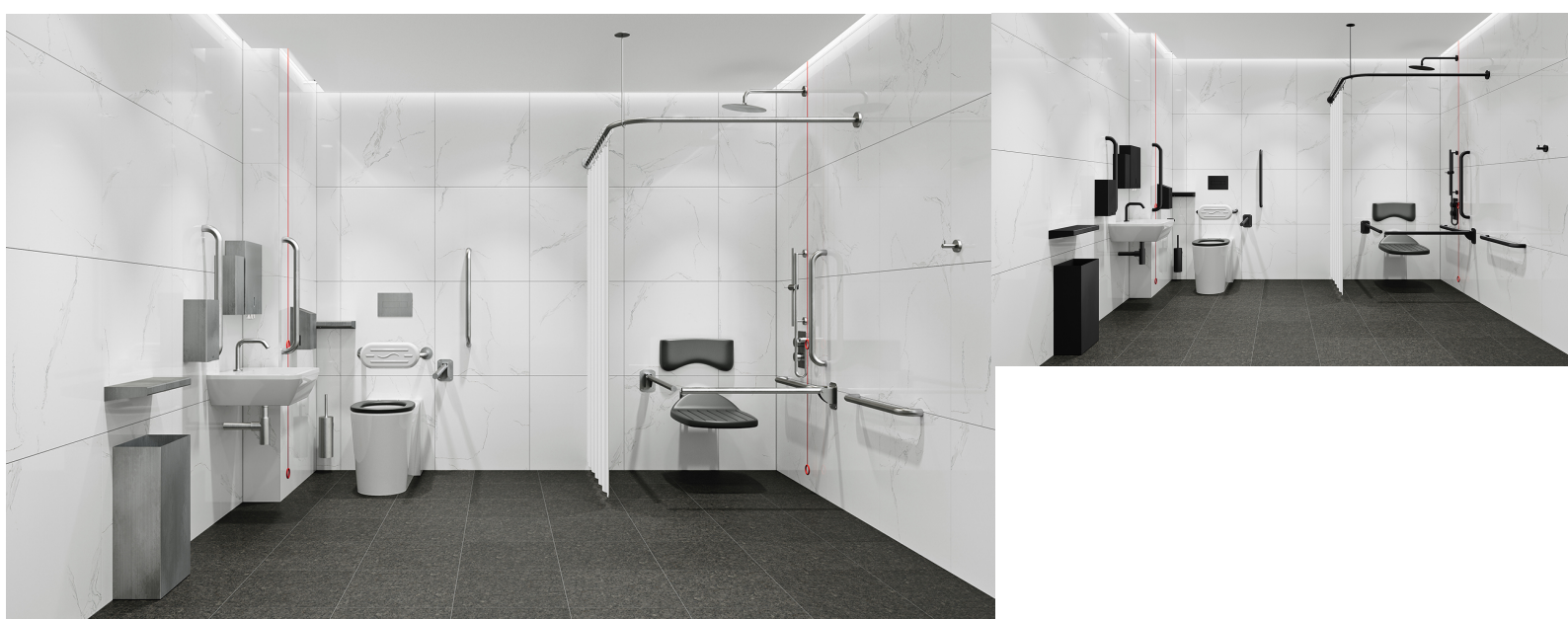


ROSELESS COMBINED DOC M PACK – BACK TO WALL TOILET

(Click on product code or page number to view Datasheet)

BC5085-CBRC_B		Page 2
BC5085-CBRC_B Pack contains:		
DS213.150.150 Tap x1	Page 3	DB5550.P1 Flush Plate x1 Page 21
AL0220 TMV3 Thermostic Mixing Valve x1	Page 4	DB590 Toilet Pan x1 Page 22
DC1150 Basin x1	Page 5	DB591-GRY Toilet Seat ring – Grey Contrasting x1 Page 23
DB790-316 Waste Trap x1	Page 6	BC5083-101 Mirror 1000mm x 400mm x1 Page 24
DB793S Waste Grate x1	Page 7	DB3100 Shower Valve x1 Page 25
BC4302 Toilet Tissue Dispenser x1	Page 8	DB3001 Shower Head x 1 Page 26
BC727 Toilet Brush x1	Page 9	DB3060-200 Shower Arm x1 Page 27
BC725 Coat Hooks x2	Page 10	DB3073 Shower Outlet x1 Page 28
BC2385S Soap Dispenser x1	Page 11	DB3041 Shower Hose x1 Page 29
BC958 Paper Towel Dispenser x1	Page 12	DB3020 Hand Held Shower Head x1 Page 30
BC2008 Hand Dryer x1	Page 13	DB3090.450 Slider Rail and Holder x1 Page 31
BC951 Waste Bin x1	Page 14	BC5083-11 Shower Curtain Rail x1 Page 32
BC750 400mm shelf x1	Page 15	BC5083-12 Shower Curtain Rail Ceiling Stay x1 Page 33
BC751 200mm shelf x1	Page 16	BC5083-14 Shower Curtains x2 Page 34
BC5083-121 Alarm Pull Cord x2	Page 17	BC5083-13 Shower Curtain Hooks x24 Page 35
BC5063-02 Grab Bar 600 mm x7	Page 18	BC5064-07 / BC5083PAD Shower Back Rests x1 Page 36
BC5063-01 Grab Bar 450 mm x1	Page 18	BC5083-34 Shower Back Rests x1 Page 37
BC5023-07ss Drop down hinged support rail x3	Page 19	BC5083-33 Shower Seat x1 Page 38
DB5510.P Concealed Cistern x1	Page 20	



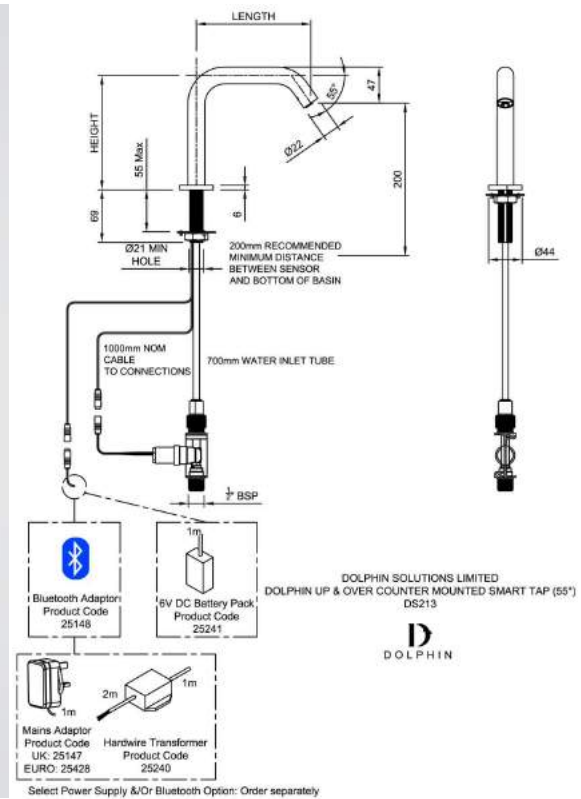
BC5085-CBRC_B

ROSELESS COMBINED DOC M PACK – BACK TO WALL TOILET

- › Compliant with Part M of the Building Regulations
- › Complete pack includes all of the items listed below to ensure compliance from specification to installation
- › All items of a co-ordinated design to achieve a consistent aesthetic look throughout the washroom
- › Cost effective alternative to sourcing all items individually
- › White toilet seat also available as an option - please contact the team for more information
- › To assist blind or partially sighted persons in navigating the washroom there should be a contrast difference of 30 between the LRV (Light Reflective Value) of fixtures/fittings and surrounding surfaces as well as between floors, walls, doors and ceilings. Contact the Dolphin Technical Team for assistance.
- › Complies with the following certifications; WRAS, Doc M
- › Contains:
 - › DS213.150.150 Tap
 - › AL0220 TMV3 ThermoStic Mixing Valve
 - › DC1150 Basin
 - › DB790-316 Waste Trap
 - › DB793S Waste Grate
 - › BC4302 Toilet Tissue Dispenser
 - › BC727 Toilet Brush
 - › BC725 Coat Hooks x2
 - › BC238SS Soap Dispenser
 - › BC958 Paper Towel Dispenser
 - › BC2008 Hand Dryer

- › BC951 Waste Bin
- › BC750 400mm shelf
- › BC751 200mm shelf
- › BC5083-121 Alarm Pull Cord x2
- › BC5063-02 Grab Bar 600 mm x7
- › BC5063-01 Grab Bar 450 mm
- › BC50230-07 Drop down hinged support rail x3
- › DB5510.P Concealed Cistern
- › DB5550.P.1 Flush Plate
- › DB590 Toilet Pan
- › DB591-GRY Toilet Seat ring – Grey Contrasting
- › BC5083-101 Mirror 1000mm x 400mm
- › DB3100 Shower Valve
- › DB3001 Shower Head
- › DB3061.350 Shower Arm
- › DB3073 Shower Outlet
- › DB3041 Shower Hose
- › DB3020 Hand Held Shower Head
- › DB3090.450 Slider Rail and Holder
- › BC5083-11 Shower Curtain Rail
- › BC5083-12 Shower Curtain Rail Ceiling Stay
- › BC5083-14 Shower Curtains x2
- › BC5083-13 Shower Curtain Hooks x24
- › BC5064-07 / BC5083PAD Shower Back Rest
- › BC5083-34 Shower Back Rests
- › BC5083-33 Shower Seat
- › HS11.50.72 Soap cartridge x 1





DS213

DOLPHIN SLIMLINE INFRARED BASIN TAP

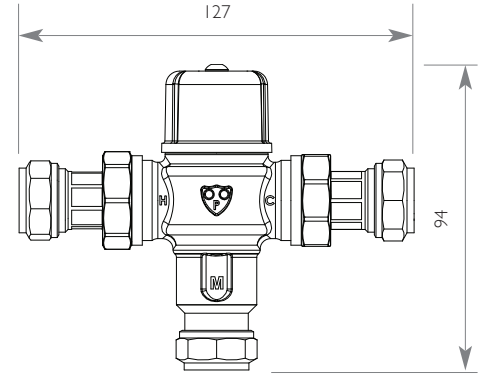
- › Dolphin Up and Over Thru Counter Mounted Inform Tap
- › Manufactured from high-quality, highly durable 1.4401 (316) Marine grade stainless steel
- › Self-monitoring analysis and recording technology (smart) allows the Facilities Manager to connect point to point via the Dolphin Inform App when used with the optional Bluetooth Adaptor (Sold separately – Order product code 25148)
- › Infrared Touch Free Tap – for ultimate hygiene – prevents cross contamination – sensor mounted in end of 55° spout
- › Standard Flow rate – maximum nominal 3.0 litres/minute with the flow regulator (fitted adjacent to solenoid) at any pressure between 0.5 and 6.0 bar, but typically at 3 bar
- › Other flow rates available – 1.0 litre/minute, 2.0 litres/minute and 4.0 litres/minute – please specify clearly if one of these alternative flowrates are required.
- › Operating pressure: 0.5 bar minimum to 8.0 bar maximum
- › Water supply: single inlet cold or pre-mixed – a TMV2 or TMV3 thermostatic mixing valve is recommended for premixed applications
- › Maximum operating water temperature - 60°C
- › Nominal current: Less than 1mA (Less than 25mA with Bluetooth)
- › Nominal power: Less than 1W
- › Security time can be adjusted via the App – default 20 seconds (60 seconds max)
- › IP68 connector
- › Power Source: Plug-in 9 Volt transformers, hard wired transformers, or battery packs
- › Recommended minimum distance between sensor and the bottom of basin = 200mm
- › WRAS approved
- › Comes with laminar flow feature to avoid splashing
- › Comes as standard with 24 hour line purge/hygiene flush feature, with alterable timings

HEIGHT	150/200MM
PROJECTION	150/200MM
DIAMETER	22MM



NOTE: Highly reflective surfaces directly beneath the sensor of this product, in particular polished finish basin wastes/strainers, will cause false activation of the infrared sensors and cause malfunction.

TECHNICAL HELPLINE 01424 202224
DOLPHINSOLUTIONS.CO.UK



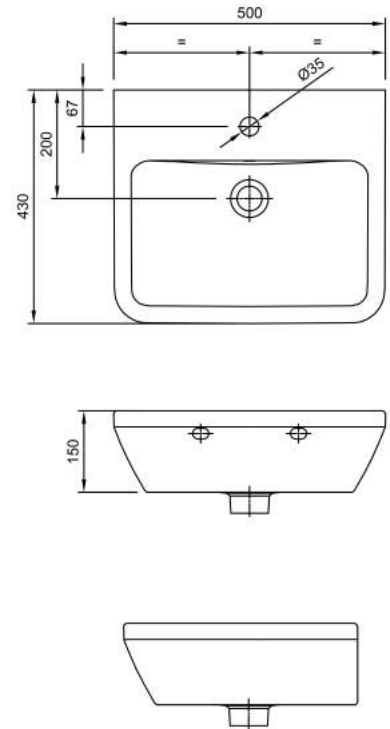
AL0220

DOLPHIN TMV3 INTEGRATED THERMOSTATIC MIXING VALVE

- › WRAS Approved product
- › Anti scald mixing valves are designed to eliminate the risk of scalding and are suitable for use in a wide range of public health care, social, commercial and domestic applications.
- › Temperature pre-set to 43°C, but easily adjustable on site. Temperature range 38°-46°C.
- › Working pressure 0.2-10bar.
- › BS7942
- › BS EN 1111:2001
- › BS EN 1287:2001
- › When used as TMV3 valve meets the requirements of NHS model engineering specification DO8.
- › Supplied with pre fitted strainers and non return valves.
- › UK manufactured
- › WRAS Approved product certificate number – 1907010

WIDTH	127 MM
HEIGHT	94 MM



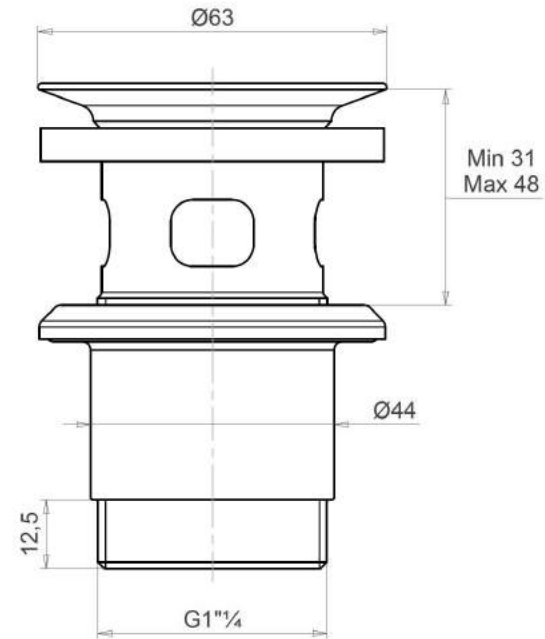


DC1150

DOLPHIN WALL HUNG BASIN - CENTRE TAP HOLE

- > Dolphin square basin in white
- > Central 35mm tap hole
- > Intended for use with slotted waste, e.g. DB791 or DB793
- > With overflow hole

WIDTH	500MM
HEIGHT	150MM
PROJECTION	430MM
TAP HOLE DIAMETER	35MM



DB793S

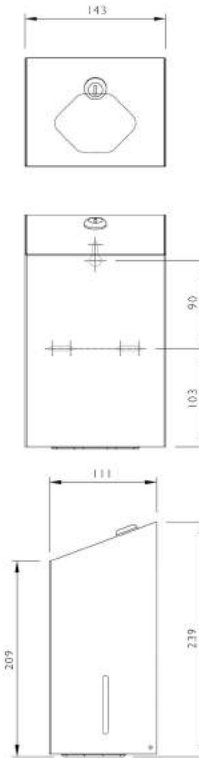
DOLPHIN BLUE WASTE DRAIN - SLOTTED

- › High quality chrome plated brass construction
- › Brushed satin and mirror polish finishes available
- › Also available with powder coating in any RAL colour (enquire for more detail)
- › Designed for fitting with a sink with an overflow

PRODUCT CODES

DB793S - Satin slotted waste drain

DB794S - Satin unslotted waste drain



BC4302

DOLPHIN BULK PACK TOILET TISSUE DISPENSER

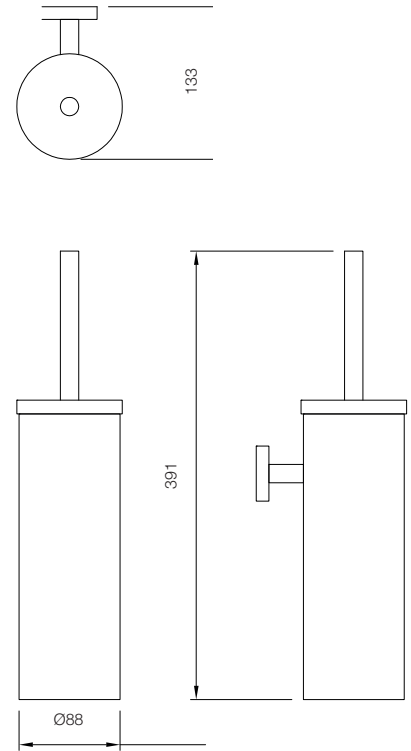
- > Lockable
- > Also available in brushed satin, mirror polish finish and with powder coating in any RAL colour (enquire for more detail)
- > High quality stainless steel
- > Inter-leaved toilet tissue dispenser
- > Ideal for accessible washrooms

PROJECTION	111MM
HEIGHT	239MM
WIDTH	143MM

PRODUCT CODES

BC4302 - Brushed satin finish

BC4302B - Mirror polished finish

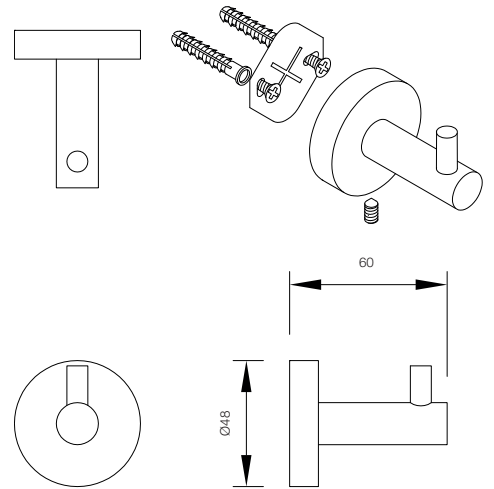
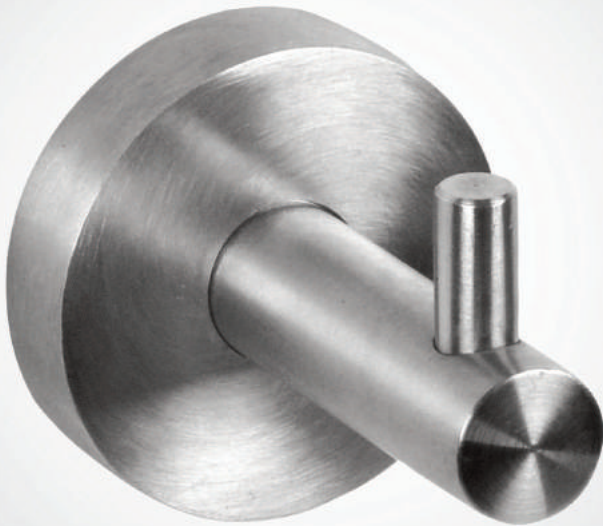


BC727

DOLPHIN TOILET BRUSH SET

- › Timeless design for prestigious appearance in high class environments
- › 304 stainless steel for easy care and durability
- › Robust 'hidden fix' anti-rotation wall plate fixing for secure anti-theft mounting
- › Available in satin (brushed) stainless steel to compliment other Dolphin products
- › Replaceable nylon brush head
- › Plastic inner container; removeable for emptying/cleaning

HEIGHT	133 MM
DIAMETER	88 MM



BC725

DOLPHIN SINGLE ROBE HOOK

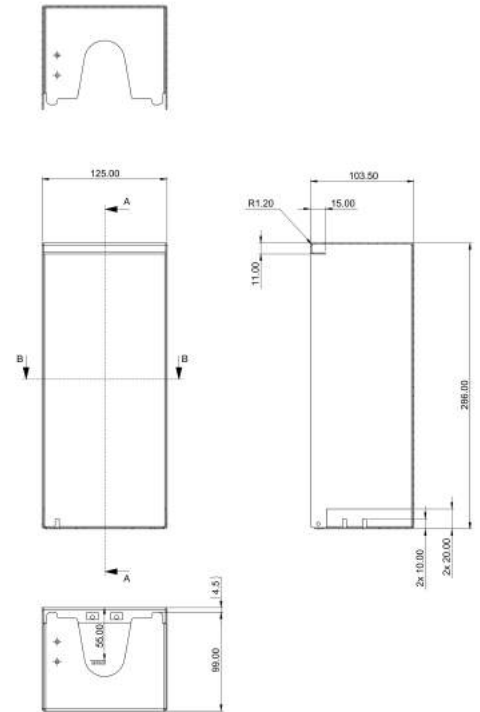
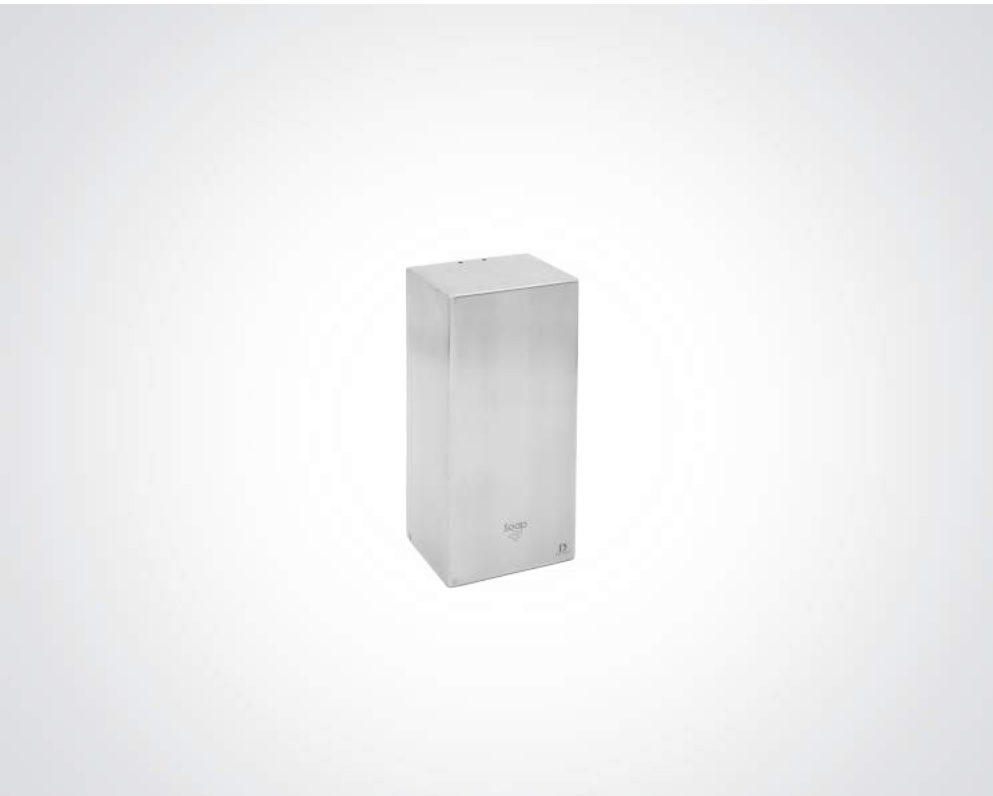
- › Timeless design for prestigious appearance in high class environments
- › 304 stainless steel for easy care and durability
- › Robust 'hidden fix' anti-rotation wall plate fixing for secure anti-theft mounting
- › Available in satin (brushed) stainless steel to compliment other Dolphin products

DIAMETER 48 MM
PROJECTION 60 MM

PRODUCT CODES

- › Double hook see

BC726

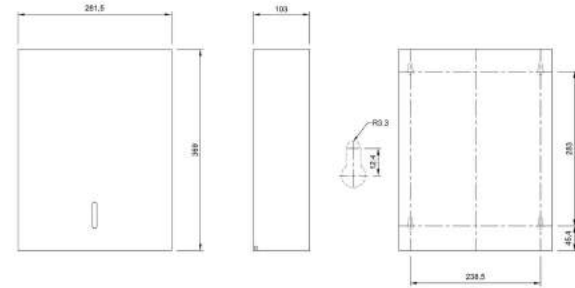


BC238SS

DOLPHIN INFRARED CARTRIDGE SOAP DISPENSER

- > Touch-free automatic cartridge dispenser
- > Manufactured in the UK
- > 1 ltr cartridges – to be purchased separately
- > Compatible cartridges available Dolphin codes:
 - > • HSI 3.50.90 Alcohol Liquid Sanitiser
 - > • HSI 1.50.73 Non-Alcohol Foaming Sanitiser
 - > • HSI 3.50.81 Antibac Lotion Soap
 - > • HSI 1.50.72 Antibac Foam Soap
- > Constructed from 304 stainless steel
- > Lockable
- > Battery powered (4 x c cell required)- Batteries not included
- > 50,000 operation battery life
- > Sensor tested to 1 million activations
- > This dispenser should be mounted with at least 200mm away from any surface below to prevent false activations

WIDTH	125MM
HEIGHT	286MM
PROJECTION	103.5MM
PROJECTION TO SENSOR	55MM

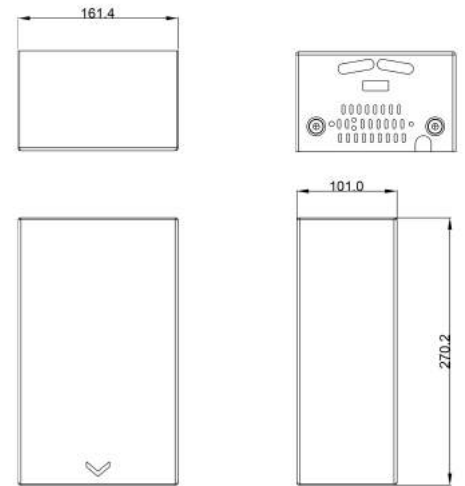
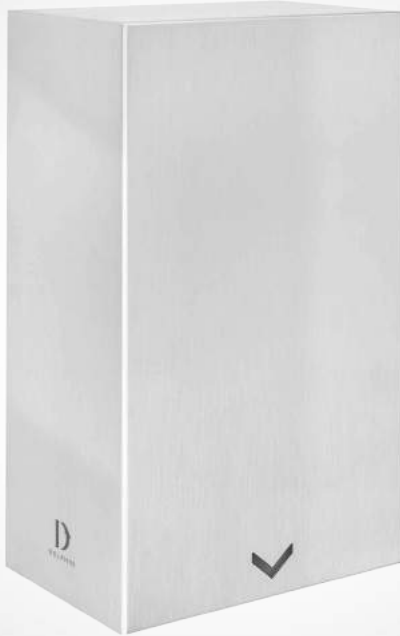


BC958

DOLPHIN STAINLESS STEEL PAPER TOWEL DISPENSER

- › Lockable paper towel dispenser
- › Constructed from high quality 304 stainless steel
- › Flush lock to facilitate easier cleaning
- › Holds approximately 400 C-fold or interfold towels
- › Also available in a mirror polish stainless steel finish or powder coated to a RAL colour of your choice

HEIGHT 369MM
WIDTH 282MM
PROJECTION 103MM



BC2008

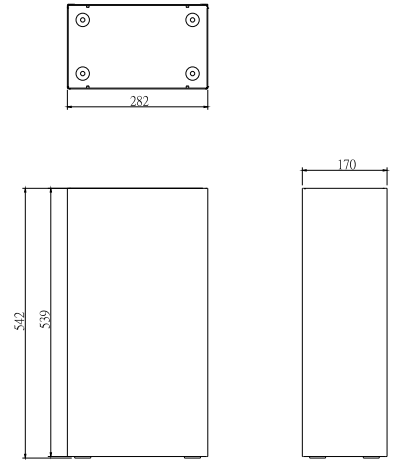
DOLPHIN HIGH SPEED MINI-ECONOMY HAND DRYER

- › Total Power 500-900W, Stand-by power less than 0.5W
- › Motor 250/450W
- › Heater 250-450W
- › Sound level 76.6dB @ 1 metre
- › IP Rating IP24, suitable for use in wet areas
- › Motor rpm 29000
- › Air Speed 342-414 km/h
- › Air Volume 80 m³/h
- › Brush Life 288k uses (10 seconds)
- › Weight 3.3 kg
- › Certificate UL/cUL, CE, GS, RoHS, CB
- › 3 Year limited warranty
- › Dries hands in only 10-12 seconds with heater on and full speed, dramatically reducing CO₂ emissions
- › Cover – satin stainless steel
- › Backplate – electro-galvanised commercial steel for excellent vandal-resistance
- › Adjustable Speed and Sound Control
- › Heater on/off switch
- › Blue LED light indicator optimises drying efficiency
- › Cut-Off Time 60 seconds
- › Carbon filter with S/S holder

HEIGHT	270.1MM
WIDTH	161.4MM
PROJECTION	101MM

PRODUCT CODES

- BC2008** - High speed mini economy hand dryer
- BC2009** - High speed mini economy hand dryer with HEPA filter

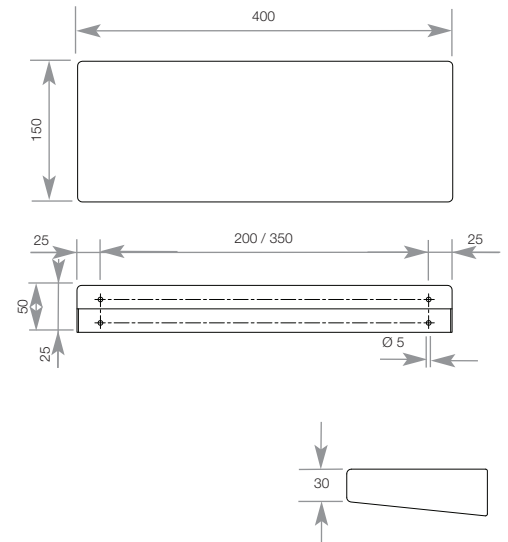


BC951

DOLPHIN STAINLESS STEEL FREE STANDING / SURFACE MOUNTED BIN

- > High Quality stainless steel
- > Wall Mounted or Free Standing option
- > Open Top
- > 24 litre capacity
- > Comes with plastic liner

HEIGHT	542 MM
WIDTH	282 MM
PROJECTION	170 MM



BC750

DOLPHIN STAINLESS STEEL SHELF

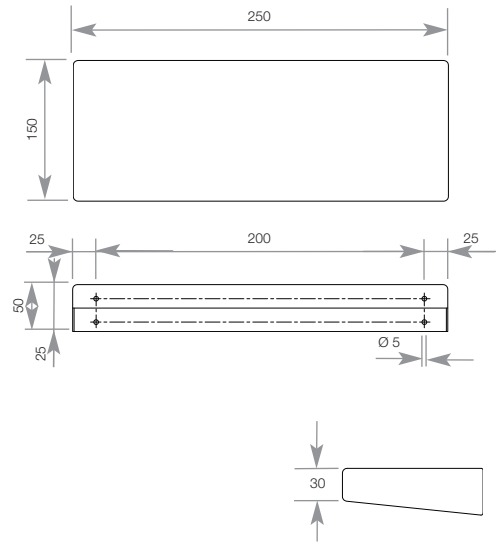
- > Prestige quality
- > Almost vandal proof
- > Ideal for public or prestigious washrooms
- > Suitable for disabled washrooms

HEIGHT	45 MM
WIDTH	400 MM
PROJECTION	150 MM

PRODUCT CODES

- > For 250mm long version see

BC751



BC751

DOLPHIN STAINLESS STEEL SHELF

- > Prestige quality
- > Almost vandal proof
- > Ideal for public or prestigious washrooms
- > Suitable for disabled washrooms

HEIGHT	45 MM
WIDTH	250 MM
PROJECTION	150 MM

PRODUCT CODES

- > For 400mm long version see

BC750



BC5083-121

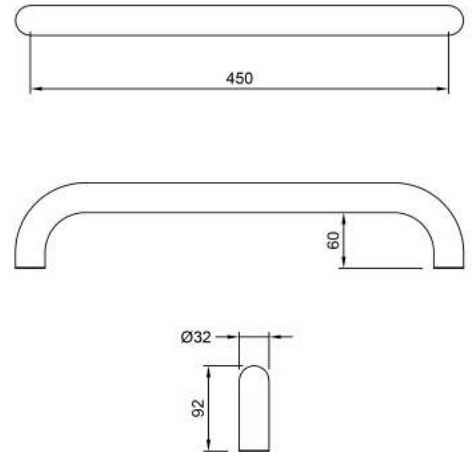
STAINLESS STEEL DISABLED ALARM SYSTEM WITH PULL CORD

- › Essential for every public accessible washroom
- › Included in all Dolphin Doc M shower and WC room sets
- › Available in white plastic or satin stainless steel
- › Doc M compliant

PRODUCT CODES

BC5083-120 - White Plastic Disabled Alarm System With Pull Cord

BC5083-121 - Stainless Steel Disabled Alarm System With Pull Cord



BC5063-01 / BC5063-02 / BC5063-04

DOLPHIN ROSELESS STAINLESS STEEL GRAB RAIL 32MM

- > Minimal flangeless design
- > Non-corrosive stainless steel construction
- > Doc M compliant
- > Material – Stainless Steel
- > Finishes available – Satin
- > All rails capable of supporting 128kg

LENGTH	450/600/900MM
PROJECTION	92MM
WIDTH	32MM

PRODUCT CODES

- BC5063-01** - 450mm Projection Grab Rail
- BC5063-02** - 600mm Projection Grab Rail
- BC5063-03** - 900mm Projection Grab Rail



BC5023-07

DOLPHIN CONTEMPORARY GRAB RAIL

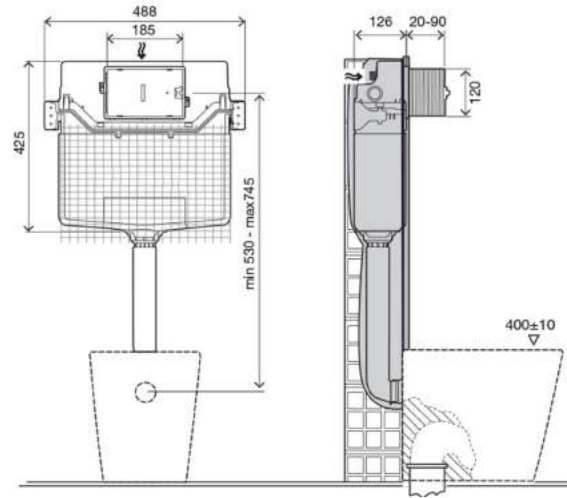
- > High quality stainless steel construction
- > Minimalist contemporary design
- > Rail folds up
- > Fixings not included
- > Tested to a drop weight of 130kg from a vertical position of 45°

HEIGHT	139MM
DIAMETER	32MM
PROJECTION	800MM
FIXING HOLES	8MM

PRODUCT CODES

BC5023-07 - Polished stainless steel

BC5023-07SS - Satin stainless steel



DB5510.P

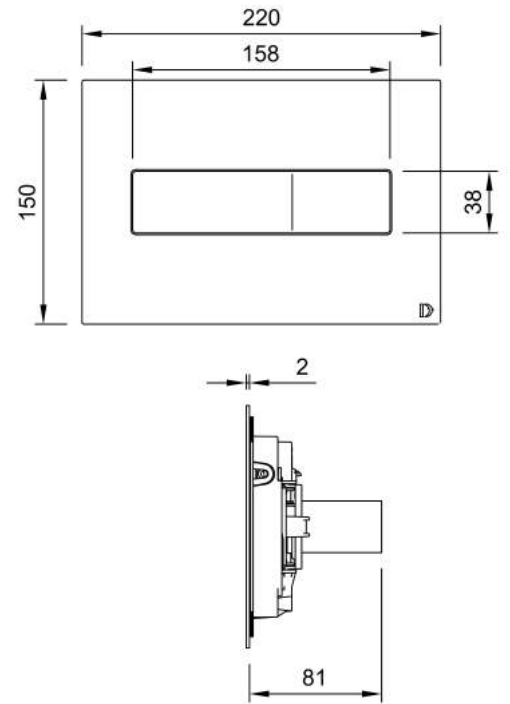
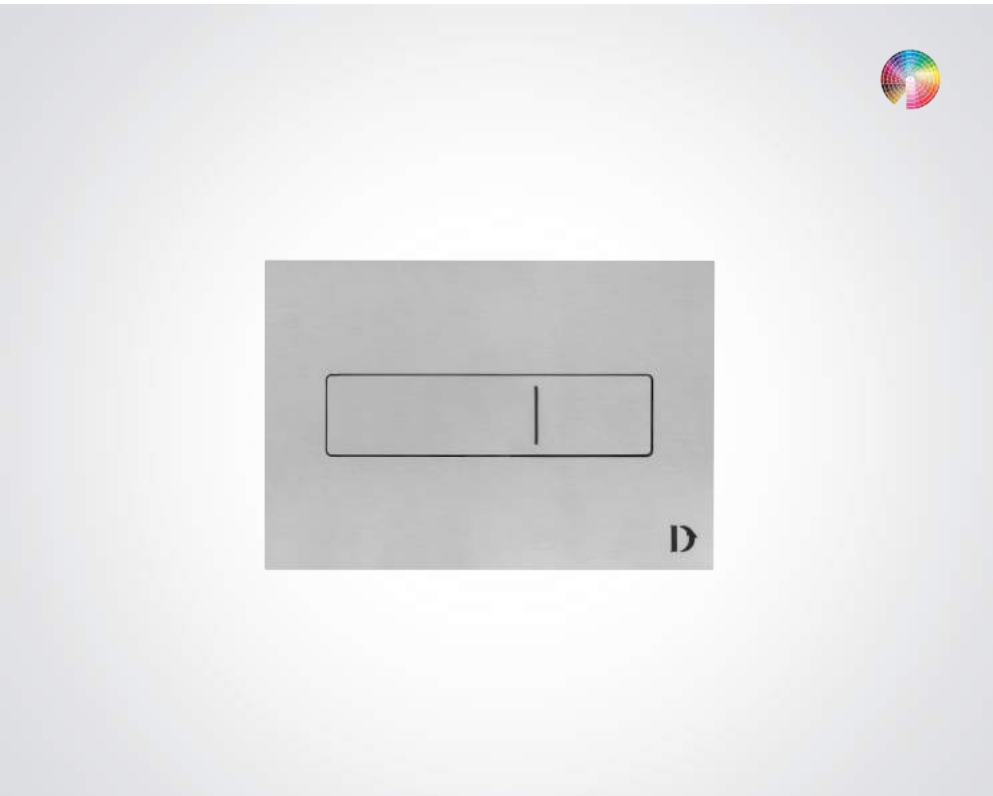
DOLPHIN BLUE 126MM PNEUMATIC CISTERN - NO FRAME

- > Flush cistern to be installed inside the wall and used in combination with floor standing sanitary applications
- > EN14055 Class two compliant
- > WRAS approved inlet valve
- > Incorporates AUKI Backflow arrangement
- > Compliant with DEFRA Interim agreement when used with our DC2006 or DB590 toilet pans
- > Dual flush in-wall cistern compatible with dual flush actuators 6/3 litres (adjustable to 4.5/3)
- > 126mm thickness
- > Pneumatic actuation
- > Equipped with delayed refilling Inlet Valve, (saves up to 9 litres of water per day) and according to BS1212- 4:2016
- > Working pressure from 0.1 to 16 bar
- > Resistance to atmospheric humidity (Hr <90%).
- > Polypropylene (PP) cistern highly resistant and inalterable to thermal stress
- > EN 14055 marking CL2
- > Supplied with anti-condensation lining
- > Net for easier mortar adhesion
- > The Dolphin Delayed Action Inlet Valve only opens and starts to refill the cistern once the flush is complete and the flush valve is closed, saving up to 0.5 litres of water per flush

WIDTH	488MM
HEIGHT	530-745MM
RECESS DEPTH	126MM

PRODUCT CODES

- DB5510.P** - Pneumatic cistern no frame
- DB5511.P** - Pneumatic cistern with frame
- DB5510.E** - Electronic cistern no frame
- DB5511.E** - Electronic cistern with frame



DB5550.P

DOLPHIN BLUE PNEUMATIC FLUSH PLATE

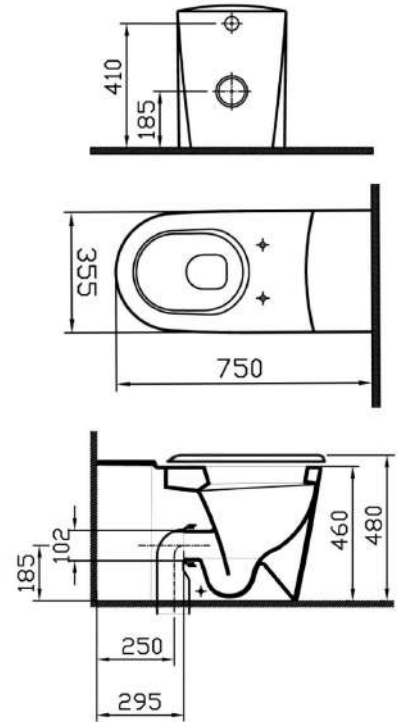
- > High quality design for prestigious locations
- > Dual flush
- > Tilttable Button
- > Actuation force < 20N
- > "Gull-Wing" opening system
- > Compatible with our DB5510.P, DB5521.P and DB5511.P Cisterns

WIDTH	220MM
HEIGHT	150MM
PROJECTION	4MM

PRODUCT CODES

DB5550.P - Pneumatic flush plate

DB5550.M - mechanical flush plate



DB590

DOLPHIN ACCESSIBLE WC

- > Back to wall high quality WC pan
- > Doc M compliant
- > Seat not included

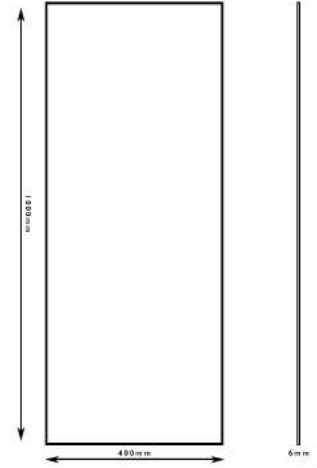
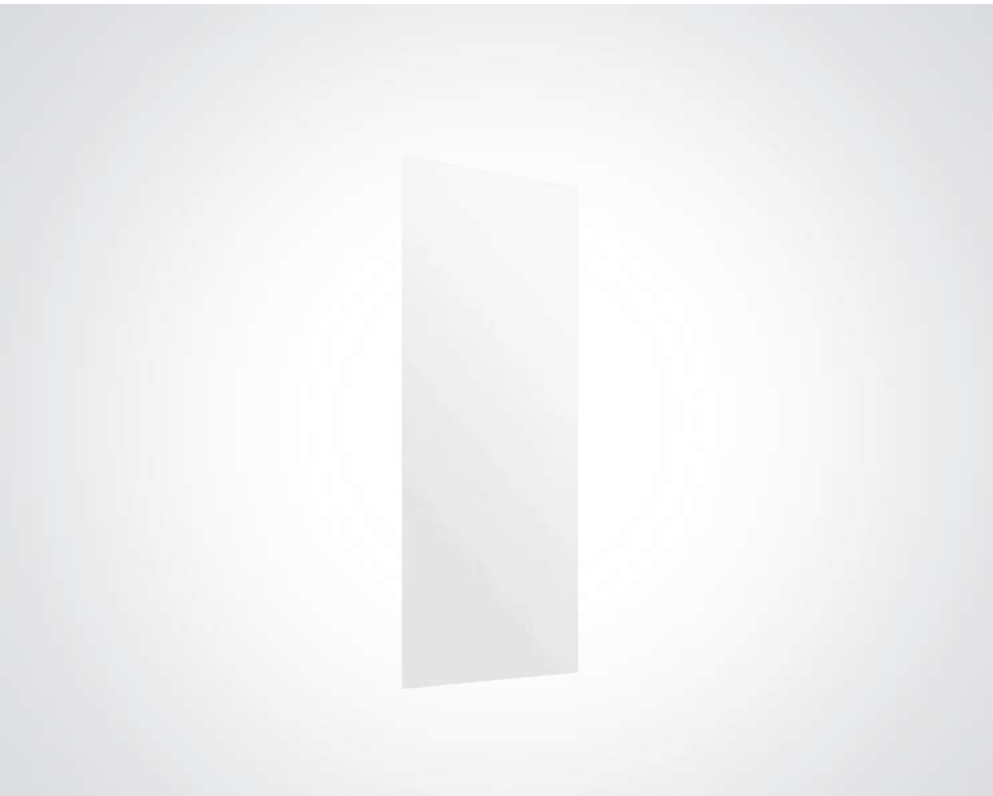
PROJECTION	750MM
WIDTH	355MM
HEIGHT	460MM
SEAT HEIGHT	480MM



DB591-GRY

DOLPHIN TOILET SEAT RING

- › Lidless for Doc M Compliance
- › Fits our DB590 Doc M floor mounted pan
- › Warm touch plastic
- › Stainless steel hinge

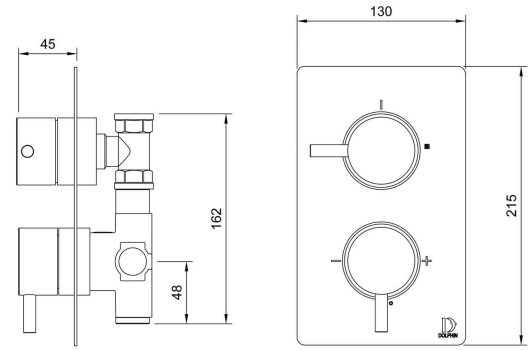
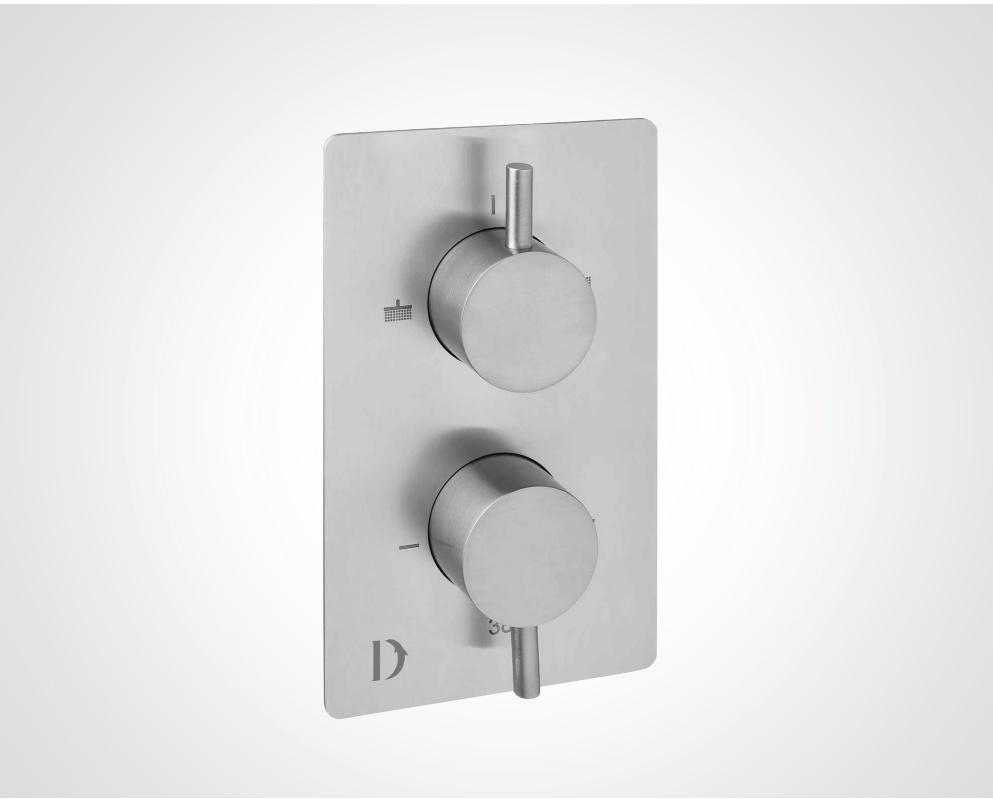


BC5083-101

DOLPHIN SAFETY BACKED MIRROR

- > Safety backed glass mirror
- > Suitable for accessible washrooms and shower rooms
- > 1000mm x 400mm x 6mm
- > Frameless
- > Bespoke options available

HEIGHT	1000MM
WIDTH	400MM
THICKNESS	6MM



DB3100

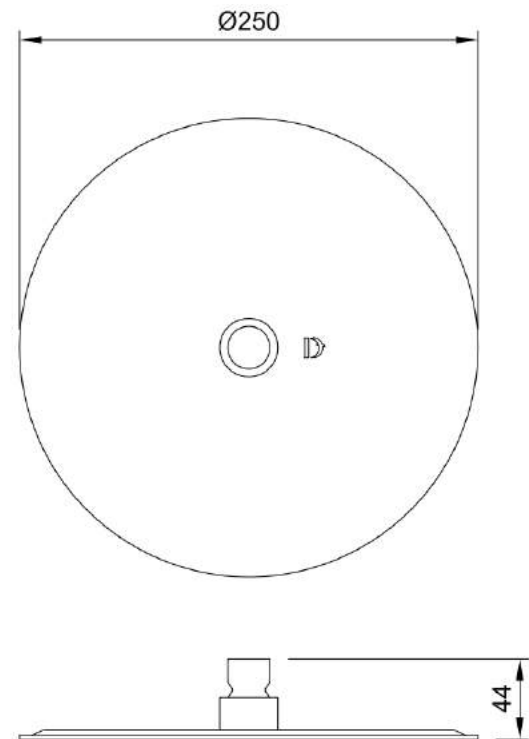
DOLPHIN BLUE SHOWER VALVE

- > Dolphin Blue Shower Valve with Thermostatic Temperature Control and Two-Ways Diverter
- > Minimalist design with slimline rectangular face plate
- > TMV3 thermostatic temperature control maintains consistent, comfortable showering temperature whilst ensuring against scalding
- > 30mm levers on the DB3100 version (As shown above) allow operation even with a clenched fist ideal for installation in accessible areas
- > Two outlets (two-ways diverter) for connection to an fixed shower head and hand held shower head with hose (sold separately)
- > Single outlet (headworks) also available for either fixed shower head OR hand held shower head with hose – see DB3200
- > Complements most of our other Dolphin taps and fittings
- > Available in both Satin and Chrome finishes
- > High quality brass and stainless steel construction with highest quality cartridges and mechanisms from market leading specialist manufacturers from within Europe to ensure robust and reliable performance in high demand commercial locations
- > Suitable for all water systems > 5 year parts and labour guarantee

WIDTH	130MM
HEIGHT	215MM
PROJECTION	45MM

Note: To obtain an optimum function (regulation in conformance with the standards, absence of noise or hydraulic vibrations), we recommend a limiting of the hot/cold inlet pressures to 5 bar, with a difference of pressure between hot and cold not exceeding 2 bar. This pressure should be a constant (therefore the dynamic rather than static pressure) and avoid pressure fluctuations caused by pumps cycling.





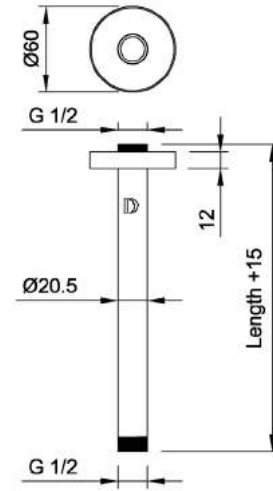
DB3001

DOLPHIN BLUE ROUND SHOWER HEAD

- > Ultra-thin round shower head at 250mm wide with safety valve (Shower Head Only)
- > 2 Flow Regulators included to provide 6 or 9 Litres per minute @ 3 bar
- > 5 Litre per minute flow regulator also available on request
- > 88 Nozzles
- > WRAS Approved
- > Fits DB3060 Ceiling Mounted Arm, DB3061 Wall Mounted Arm and DB3062 Wall Mounted Arm (Supplied separately)
- > Complements most of our other Dolphin taps and fittings
- > Available in polished and satin brushed stainless steel, and can also be powder coated black (RAL9005 15% sheen)
- > High quality brass and stainless steel construction with highest quality cartridges and mechanisms from market leading specialist manufacturers from within Europe to ensure robust and reliable performance in high demand commercial locations
- > Suitable for all water systems
- > 2 year parts and labour guarantee

WIDTH	250MM
HEIGHT	44MM





DB3060.xxx.x(.xx)

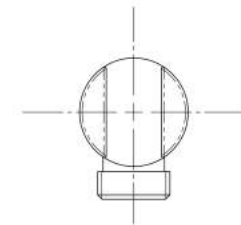
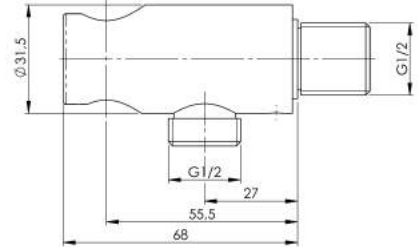
DOLPHIN BLUE SHOWER ARM

- › Dolphin Blue Ceiling Mounted Shower Arm
- › Available in 4 lengths (See Product Codes)
- › WRAS Approved
- › Complements most of our other Dolphin taps and fittings
- › Available in both polished and satin/brushed finish Brass in the following colours -PVD in Bronze, Brass, Gold, Rose Gold, Black and Copper and Powder Coated in any RAL colour of your choice
- › High quality brass construction
- › Suitable for all water systems
- › 2 year parts and labour guarantee

PRODUCT CODES

- › DB3060.200.x(.xx) 200mm
- › DB3060.250.x(.xx) 250mm
- › DB3060.300.x(.xx) 300mm
- › DB3060.350.x(.xx) 350mm





DB3073

DOLPHIN BLUE SHOWER WALL OUTLET & HOLDER

- › Dolphin Blue Wall Outlet and Holder with 1/2" BSP connection
- › Complements most of our other Dolphin taps and fittings
- › Available in both polished and satin/brushed finish Brass in the following colours – PVD in Bronze, Brass, Gold, Rose Gold, Black and Copper and Powder Coated in any RAL colour of your choice
- › High quality brass construction
- › Suitable for all water systems

PRODUCT CODES

- DB3073.1** - Satin Stainless version
- DB3073.2** - Mirror polish version



DB3041

DOLPHIN SHOWER HOSE

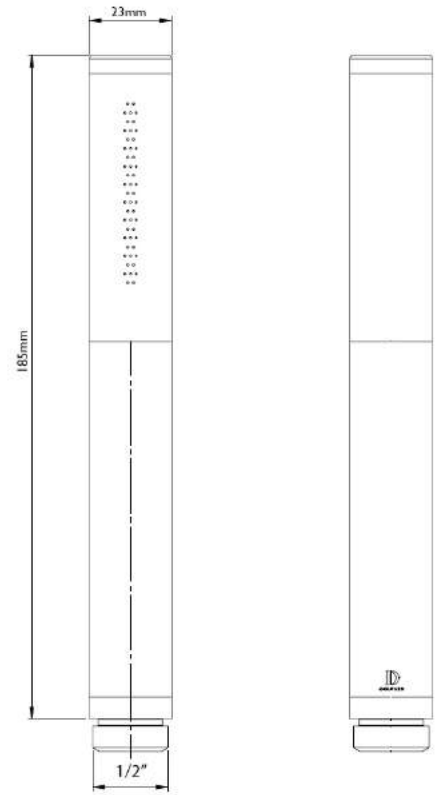
- > 150cm Long flexible stainless steel shower hose - designed to work with our DB3020
- > Prestigious design for high quality shower rooms
- > End nuts constructed from high grade 316 stainless steel, hose from 304 grade stainless steel and internal tube made of EPDM
- > WRAS approved

LENGTH **150CM**

PRODUCT CODES

DB3041 - Dolphin shower hose

DB3020 - Dolphin Hand held shower head



DB3020

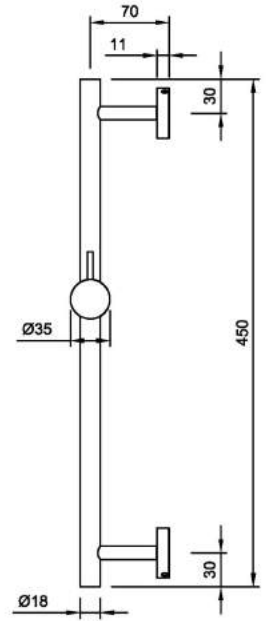
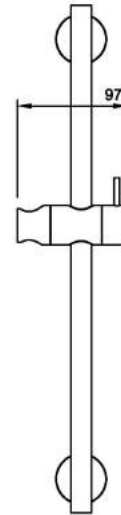
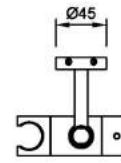
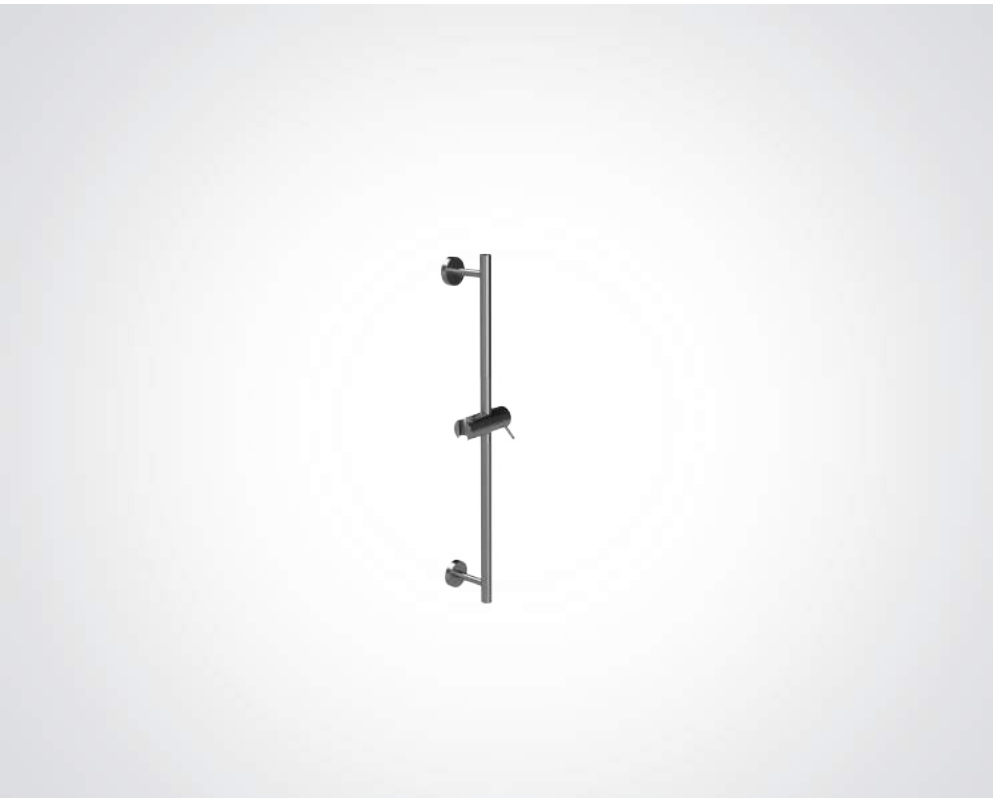
DOLPHIN HAND HELD SHOWER HEAD

- > Constructed from high grade stainless steel
- > Available in satin and polished stainless steel finishes
- > To be used with DB3041 shower hose (purchased seperately)
- > 1/2" connection
- > Flow regulators for 6 litres per minute and 9 litres per minute included as standard (but not fitted)
- > Also available with flow regulators for 4 Litres per minute (DB58863410000) and 5 litres per minute (DB58863510000)

HEIGHT	185MM
DIAMETER	23MM

PRODUCT CODES

- DB3020.1** - Satin stainless shower head
- DB3020.2** - Mirror polished shower head
- DB3020.3** - Satin PVD shower head
- DB3020.6** - Ceramic coated shower head
- DB3041** - Dolphin shower hose

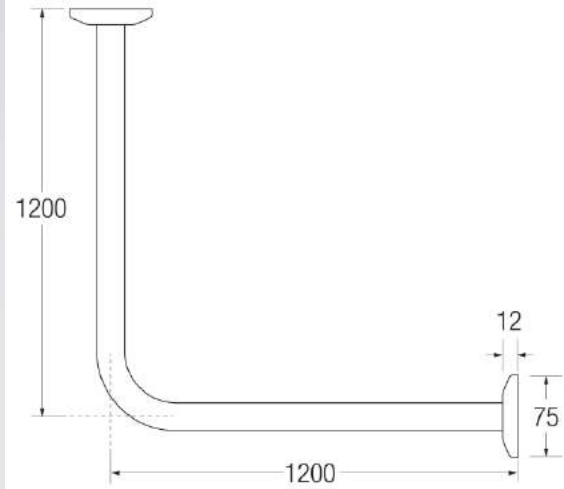
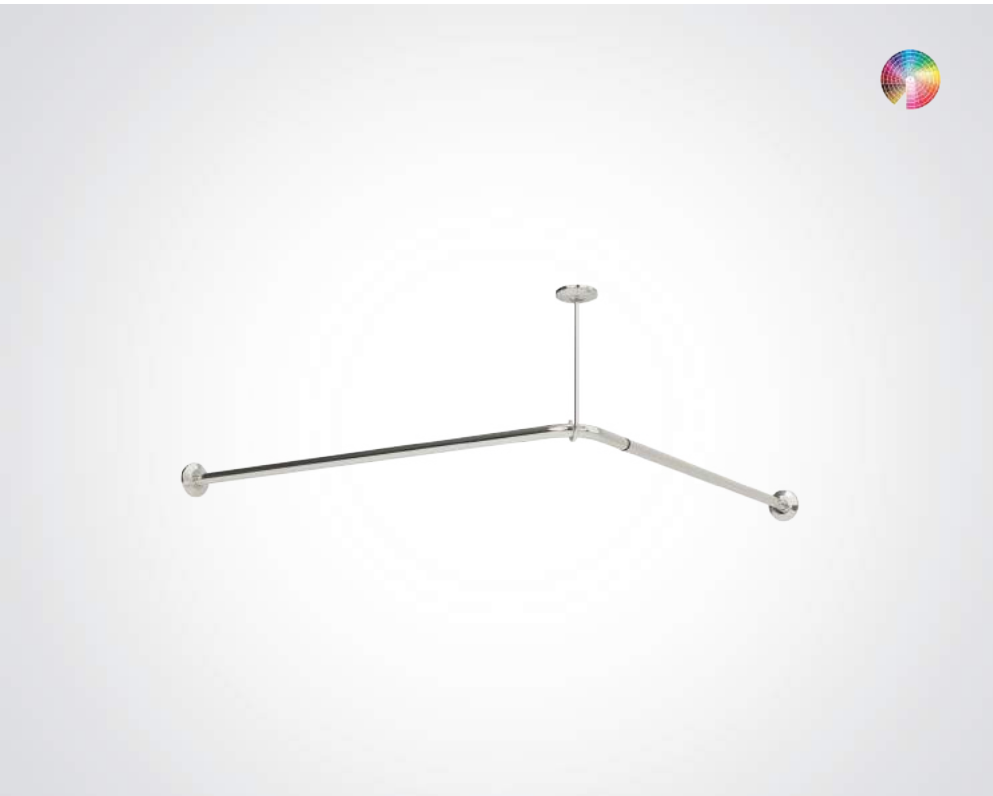


DB3090.450

DOLPHIN BLUE SHOWER SLIDER RAIL AND HOLDER

- > Dolphin Blue Shower Slider Rail and Holder Assembly consisting of two wall mounting brackets with concealed fixings, riser rail and shower head holder
- > Complements most of our other Dolphin taps and fittings
- > Available to be ceramic coated
- > High quality brass construction
- > Suitable for all water systems
- > 2 year parts and labour guarantee

WIDTH	97MM
RAIL DIAMETER	18MM
HEIGHT	450MM
PROJECTION	79MM



BC5083-11 / BC5083-11-PSS

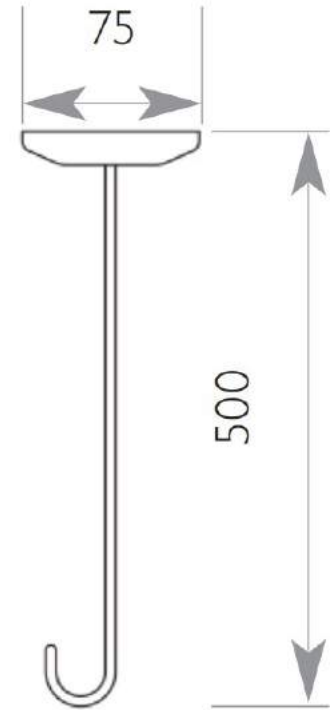
DOLPHIN 1200MM X 1200MM SHOWER CURTAIN RAIL

- › Non-corrosive stainless steel construction
- › Concealed fixings
- › Bespoke lengths, shapes and sizes available
- › Doc M compliant
- › Ceiling stay (not included) available for purchase separately, code BC5083-12
- › For use with BC5083-13 curtain hooks and BC5083-14 shower curtain (not included)
- › Available in satin brushed and mirror polish finishes
- › Powder coated finishes in any RAL colour also available

PROJECTION	1200MM
DIAMETER	25MM
HEIGHT FROM CEILING	500MM

PRODUCT CODES

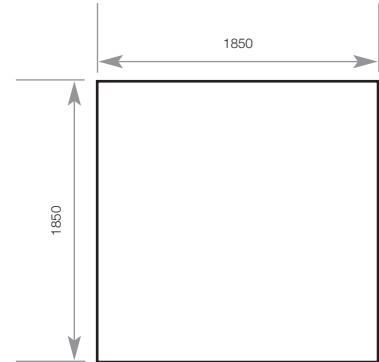
BC5083-11 - Stainless Steel Shower Curtain Rail 1200mm x 1200mm Satin Brushed Finish
BC5083-11-PSS - Stainless Steel Shower Curtain Rail 1200mm x 1200mm Mirror Polish Finish



BC5083-12

DOLPHIN SHOWER RAIL CEILING STAY

- > High quality satin stainless steel construction
- > Use with BC5083-13 curtain hooks, BC5083-14 shower curtain, and BC5083-11 curtain rail (all supplied separately)



BC5083-14

DOLPHIN SHOWER CURTAIN

- > White shower curtain
- > 4oz weighted white polyester
- > Hooks are not included with curtain
- > 12 hooks required per curtain

HEIGHT	1830 MM
WIDTH	1830 MM



BC5083-13

DOLPHIN CURTAIN HOOKS BRASS CHROME PLATED

› Use with BC5083-11 Dolphin corner shower rail



BC5064-09

150MM STAINLESS STEEL SHOWER SEAT BACKREST WITH PAD

- › Non-corrosive stainless steel construction
- › Flangeless design
- › 150mm Projection for use in a shower setting
- › Black and White cushions available
- › Material – Stainless Steel
- › Finishes available – Satin and Mirror Polish
- › Cushion colours available - Black and White
- › Capable of supporting 145kg
- › See BC5064-10 for 200mm projection (suitable for a WC)

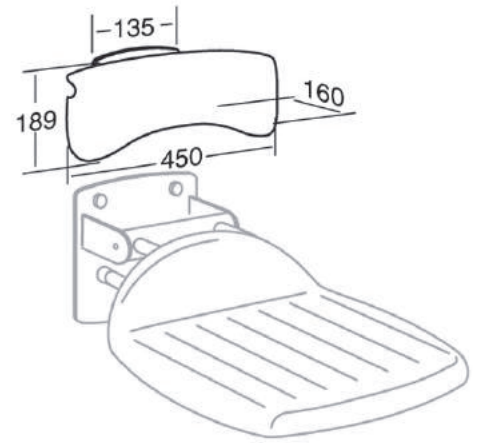
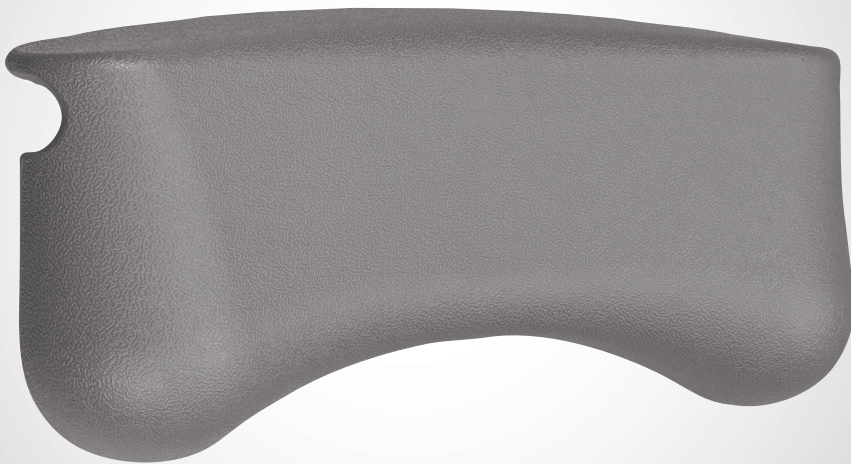
PRODUCT CODES

BC5064-09-WH - Brushed satin finish, White cushion

BC5064-09-BL - Brushed satin finish, Black cushion

BC5064-09-PSS-WH - Mirror polish finish, White cushion

BC5064-09-PSS-BL - Mirror polish finish, Black, cushion



BC5083-34

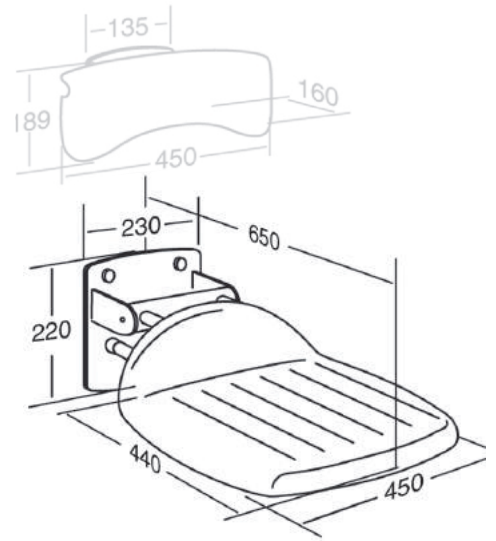
DOLPHIN SHOWER BACK REST

- > Back rest for folding shower seat, back rest pale grey
- > Includes fixing kit for brick wall
- > Adjustability Fixed mounting
- > Materials The wall profile is made of diecast aluminium, and the backrest is made of vacuummoulded polyethylene (PE)
- > Dolphin five year warranty
- > See BC5083-33 for shower seat

HEIGHT	189 MM
WIDTH	450 MM
PROJECTION	160 MM

PRODUCT CODES

- > **BC5083-33** Dolphin Shower Seat
- > **BC5083-34** Dolphin Shower Back Rest



BC5083-33

DOLPHIN SHOWER SEAT

- > Back rest for folding shower seat, back rest pale grey
- > Includes fixing kit for brick wall
- > Fixed mounting
- > The wall profile is made of diecast aluminium, and the backrest is made of vacuum moulded polyethylene (PE)
- > Five year warranty
- > See BC5083-34 for shower back rest

HEIGHT	220 MM
WIDTH	450 MM
PROJECTION	650 MM

PRODUCT CODES

- > **BC5083-33** Dolphin Shower Seat
- > **BC5083-34** Dolphin Shower Back Rest