



ROSELESS DOC M SHOWER PACK – EXPOSED

(Click on product code or page number to view Datasheet)

BC5063-SHE	Page 2
BC5063-SHE Pack contains:	
BC5083-11 Shower Curtain Rail x1	Page 3
BC5083-12 Shower Rail Ceiling Stay x1	Page 4
BC5083-14 Shower Curtains x2	Page 5
BC5083-13 Shower Curtain Hooks x24	Page 6
BC5063-02 Grab Rail – 600mm x3	Page 7
BC5063-01 Grab Rail – 450mm x1	Page 7
BC5023-07 Hinged Drop Down Rail x2	Page 8
BC5083-34 Back Rest x1	Page 9
BC5083-33 Shower Seat x1	Page 10
BC5083-121 Alarm Pull Cord x1	Page 11
BC725 Robe Hooks x2	Page 12
BC5083-101 Mirror 1000mm x 400mm x1	Page 13
BC5083-15 Exposed Shower Valve x1	Page 14
BC5083-16 Exposed Two-Way Diverter x1	Page 15
BC5083-24 Shower Riser Kit – Hand Held and Hose x1	Page 16
BC5083-04PSS/ BC5083-25 Shower Riser Rail and Bracket x1	Page 17
BC5083-18 Copper Tube x1	Page 18



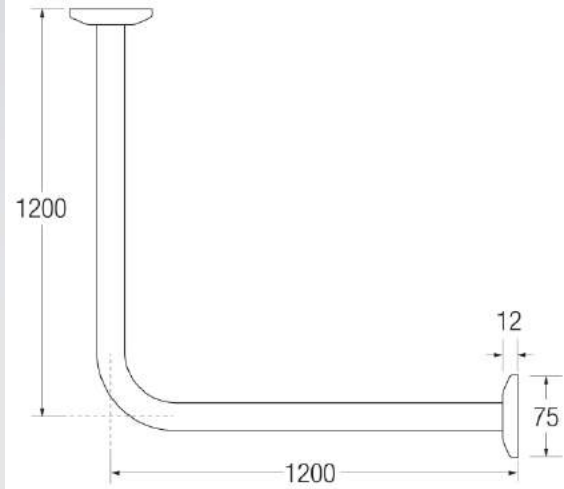
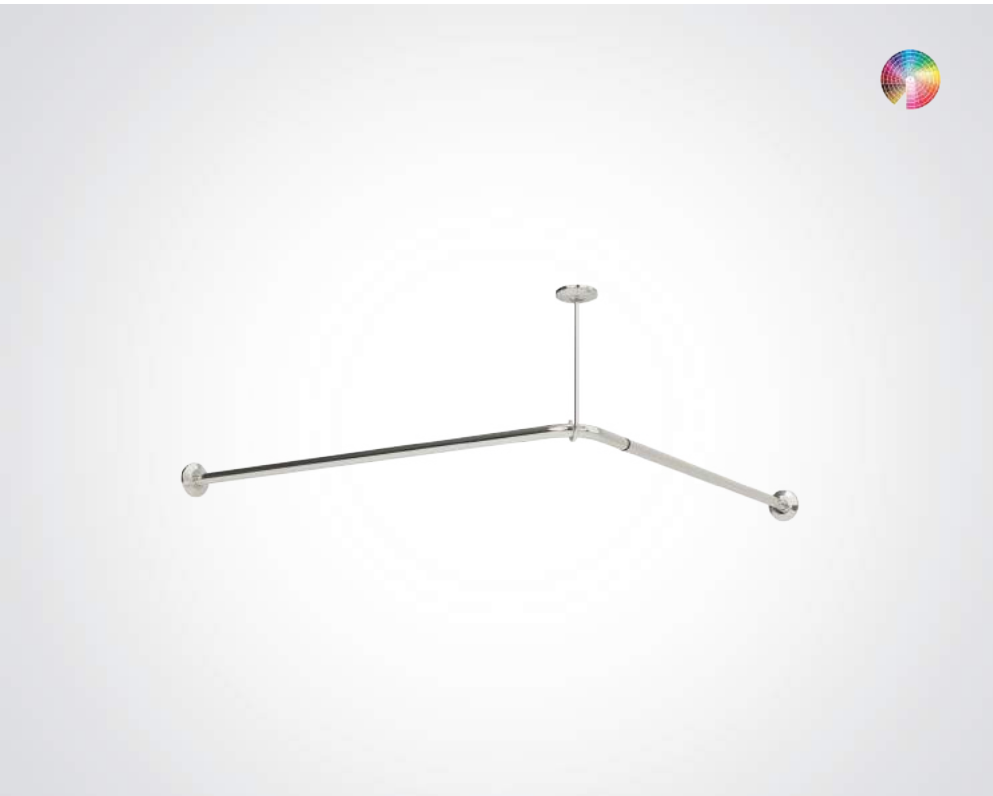
BC5063-SHE

ROSELESS DOC M SHOWER PACK – EXPOSED

- › Compliant with Part M of the Building Regulations
- › Includes all the items listed below to comply from specification to installation
- › Items of a co-ordinated design for a consistent look throughout the washroom
- › Effective alternative to sourcing items individually - delivered in one package for easy installation
- › To assist blind or partially sighted persons in navigating the washroom there should be a contrast difference of 30 in LRV values of fittings and surfaces
- › This pack uses certified TMV3 valves
- › Available in polished stainless steel and satin stainless steel,
- › BC5063-SHE Pack contains:
 - › BC5083-11 Shower Curtain Rail x1
 - › BC5083-12 Shower Rail Ceiling Stay x1
 - › BC5083-14 Shower Curtains x2
 - › BC5083-13 Shower Curtain Hooks x24
 - › BC5063-02 Grab Rail – 600mm x1
 - › BC5063-01 Grab Rail – 450mm x1
 - › BC5023-07 Hinged Drop Down Rail x 2

- › BC5083-33 Back Rest x1
- › BC5083-34 Shower Seat x1
- › BC5083-121 Alarm Pull Cord x1
- › BC725 Robe Hooks x2
- › BC5083-101 Mirror 1000mm x 400mm x1
- › BC5083-15 Exposed Shower Valve x1
- › BC5083-16 Exposed Two-Way Diverter x1
- › BC5083-24 Shower Riser Kit – Hand Held and Hose x1
- › DB1032 Shower Head x1
- › BC5083-04PSS/ BC5083-25 Shower Riser Rail and Bracket x1
- › BC5083-18 Copper Tube x1
- › WRAS certification numbers
 - › BC5083-15 : 1603305
 - › BC5083-16 : 1509318
- › Flow Rates:
 - › DB1032 : 9.0 litres/minute





BC5083-11 / BC5083-11-PSS

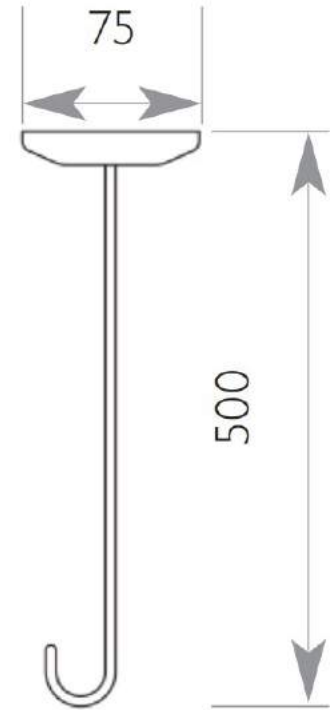
DOLPHIN 1200MM X 1200MM SHOWER CURTAIN RAIL

- › Non-corrosive stainless steel construction
- › Concealed fixings
- › Bespoke lengths, shapes and sizes available
- › Doc M compliant
- › Ceiling stay (not included) available for purchase separately, code BC5083-12
- › For use with BC5083-13 curtain hooks and BC5083-14 shower curtain (not included)
- › Available in satin brushed and mirror polish finishes
- › Powder coated finishes in any RAL colour also available

PROJECTION	1200MM
DIAMETER	25MM
HEIGHT FROM CEILING	500MM

PRODUCT CODES

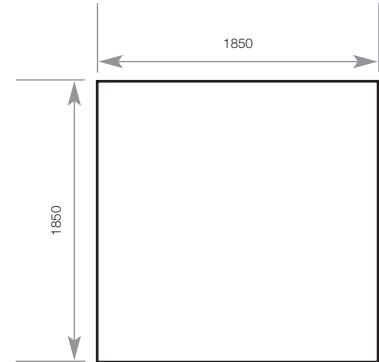
BC5083-11 - Stainless Steel Shower Curtain Rail 1200mm x 1200mm Satin Brushed Finish
BC5083-11-PSS - Stainless Steel Shower Curtain Rail 1200mm x 1200mm Mirror Polish Finish



BC5083-12

DOLPHIN SHOWER RAIL CEILING STAY

- > High quality satin stainless steel construction
- > Use with BC5083-13 curtain hooks, BC5083-14 shower curtain, and BC5083-11 curtain rail (all supplied separately)



BC5083-14

DOLPHIN SHOWER CURTAIN

- > White shower curtain
- > 4oz weighted white polyester
- > Hooks are not included with curtain
- > 12 hooks required per curtain

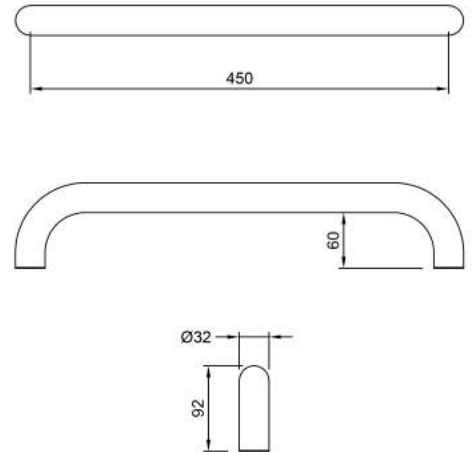
HEIGHT	1830 MM
WIDTH	1830 MM



BC5083-13

DOLPHIN CURTAIN HOOKS BRASS CHROME PLATED

› Use with BC5083-11 Dolphin corner shower rail



BC5063-01 / BC5063-02 / BC5063-04

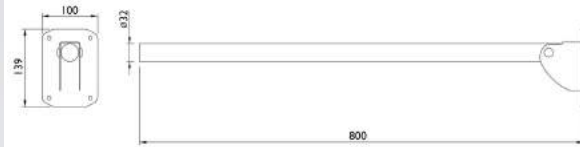
DOLPHIN ROSELESS STAINLESS STEEL GRAB RAIL 32MM

- > Minimal flangeless design
- > Non-corrosive stainless steel construction
- > Doc M compliant
- > Material – Stainless Steel
- > Finishes available – Satin
- > All rails capable of supporting 128kg

LENGTH	450/600/900MM
PROJECTION	92MM
WIDTH	32MM

PRODUCT CODES

- BC5063-01** - 450mm Projection Grab Rail
- BC5063-02** - 600mm Projection Grab Rail
- BC5063-03** - 900mm Projection Grab Rail



BC5023-07

DOLPHIN CONTEMPORARY GRAB RAIL

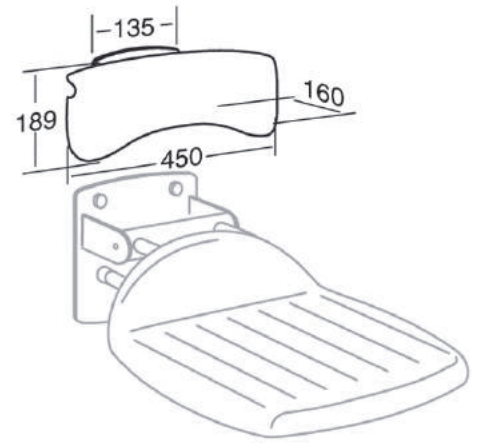
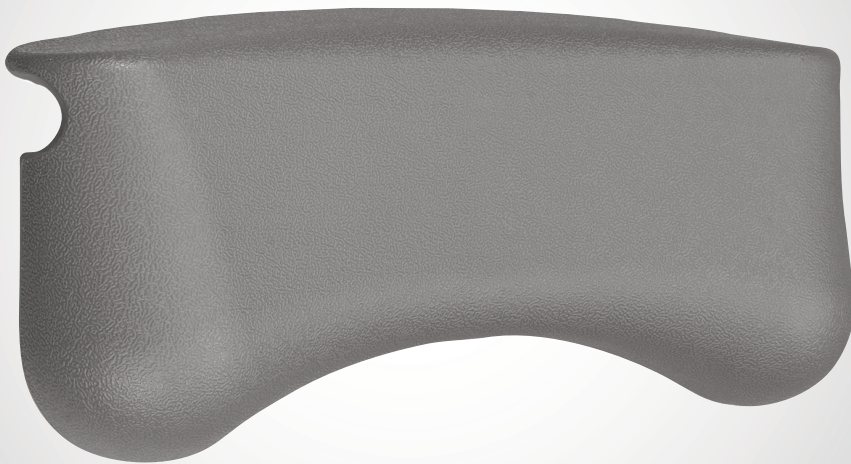
- > High quality stainless steel construction
- > Minimalist contemporary design
- > Rail folds up
- > Fixings not included
- > Tested to a drop weight of 130kg from a vertical position of 45°

HEIGHT	139MM
DIAMETER	32MM
PROJECTION	800MM
FIXING HOLES	8MM

PRODUCT CODES

BC5023-07 - Polished stainless steel

BC5023-07SS - Satin stainless steel



BC5083-34

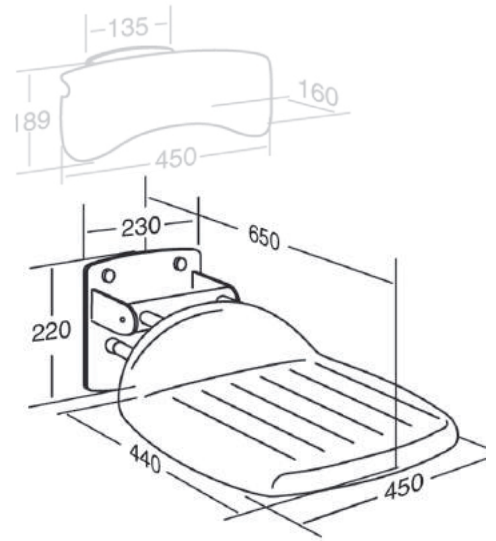
DOLPHIN SHOWER BACK REST

- > Back rest for folding shower seat, back rest pale grey
- > Includes fixing kit for brick wall
- > Adjustability Fixed mounting
- > Materials The wall profile is made of diecast aluminium, and the backrest is made of vacuummoulded polyethylene (PE)
- > Dolphin five year warranty
- > See BC5083-33 for shower seat

HEIGHT	189 MM
WIDTH	450 MM
PROJECTION	160 MM

PRODUCT CODES

- > BC5083-33 Dolphin Shower Seat
- > BC5083-34 Dolphin Shower Back Rest



BC5083-33

DOLPHIN SHOWER SEAT

- > Back rest for folding shower seat, back rest pale grey
- > Includes fixing kit for brick wall
- > Fixed mounting
- > The wall profile is made of diecast aluminium, and the backrest is made of vacuummoulded polyethylene (PE)
- > Five year warranty
- > See BC5083-34 for shower back rest

HEIGHT	220 MM
WIDTH	450 MM
PROJECTION	650 MM

PRODUCT CODES

- > BC5083-33 Dolphin Shower Seat
- > BC5083-34 Dolphin Shower Back Rest



BC5083-121

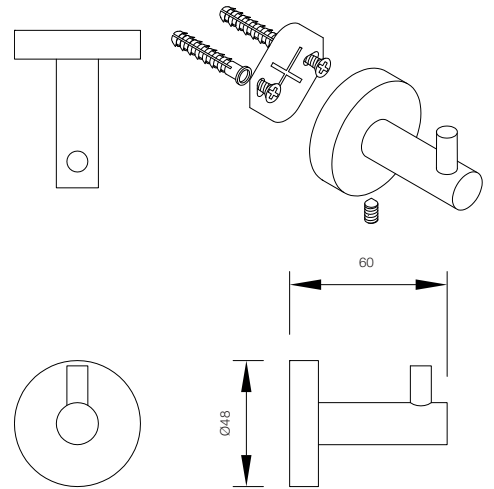
STAINLESS STEEL DISABLED ALARM SYSTEM WITH PULL CORD

- › Essential for every public accessible washroom
- › Included in all Dolphin Doc M shower and WC room sets
- › Available in white plastic or satin stainless steel
- › Doc M compliant

PRODUCT CODES

BC5083-120 - White Plastic Disabled Alarm System With Pull Cord

BC5083-121 - Stainless Steel Disabled Alarm System With Pull Cord



BC725

DOLPHIN SINGLE ROBE HOOK

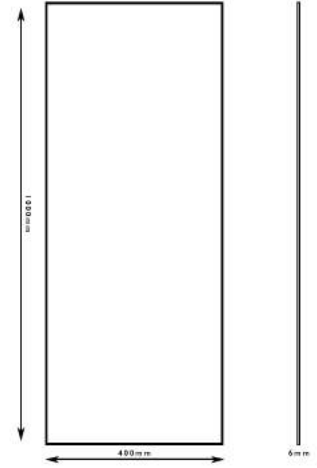
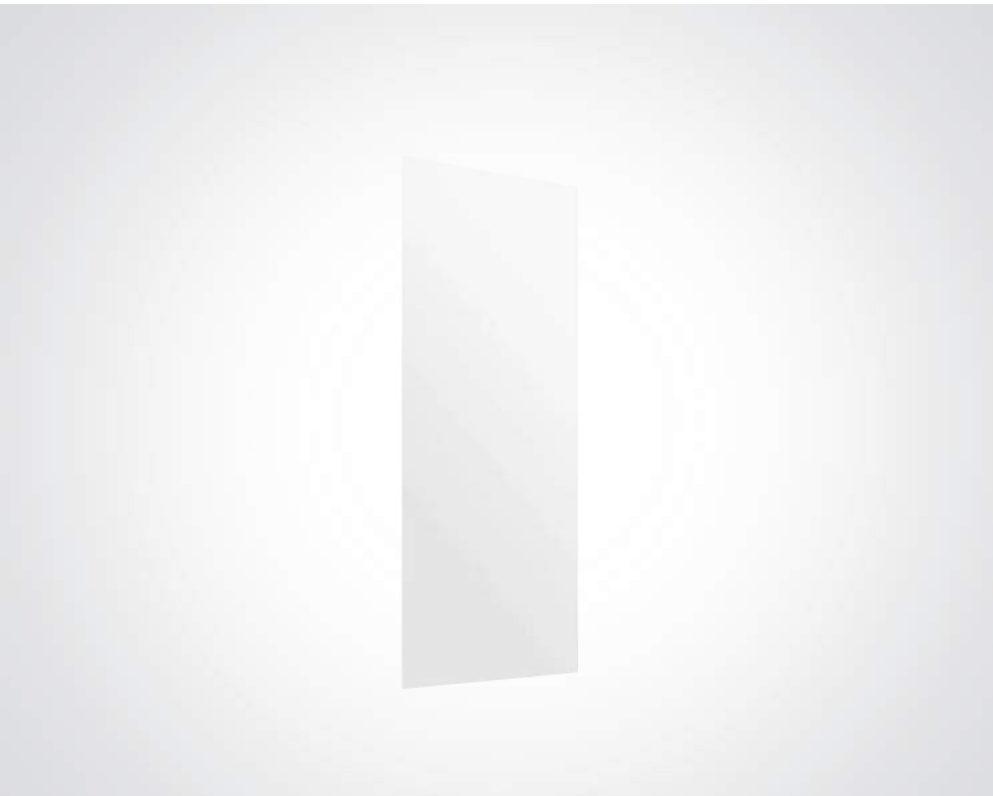
- › Timeless design for prestigious appearance in high class environments
- › 304 stainless steel for easy care and durability
- › Robust 'hidden fix' anti-rotation wall plate fixing for secure anti-theft mounting
- › Available in satin (brushed) stainless steel to compliment other Dolphin products

DIAMETER 48 MM
PROJECTION 60 MM

PRODUCT CODES

- › Double hook see

BC726

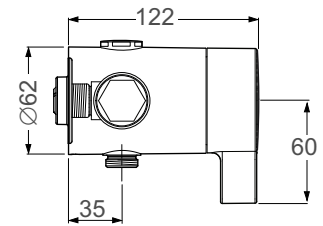
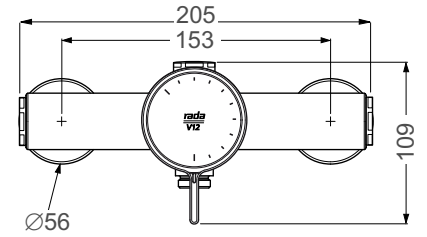


BC5083-101

DOLPHIN SAFETY BACKED MIRROR

- > Safety backed glass mirror
- > Suitable for accessible washrooms and shower rooms
- > 1000mm x 400mm x 6mm
- > Frameless
- > Bespoke options available

HEIGHT	1000MM
WIDTH	400MM
THICKNESS	6MM



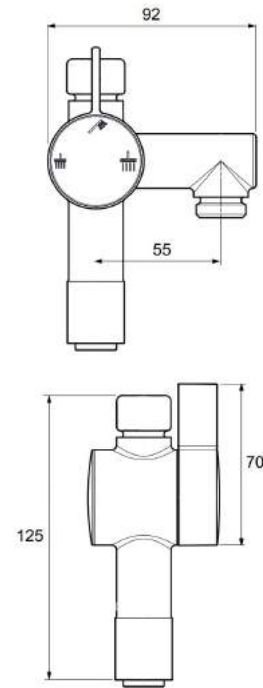
BC5083-15

THERMOSTATIC SHOWER VALVE

- > Buildcert TMV3 Scheme Approved
- > WRAS Approved
- > Single sequential operation from off through cold to warm
- > Light touch control complemented by easy to understand graphics to address the needs of all users irrespective of age or ability
- > Robust construction to withstand heavy usage in the commercial environment
- > Optional 6 l/min flow regulator for increased water savings. A 9 l/min flow regulator is also supplied
- > Easy access to filters for servicing.

WIDTH	205 MM
HEIGHT	109 MM
PROJECTION	122 MM





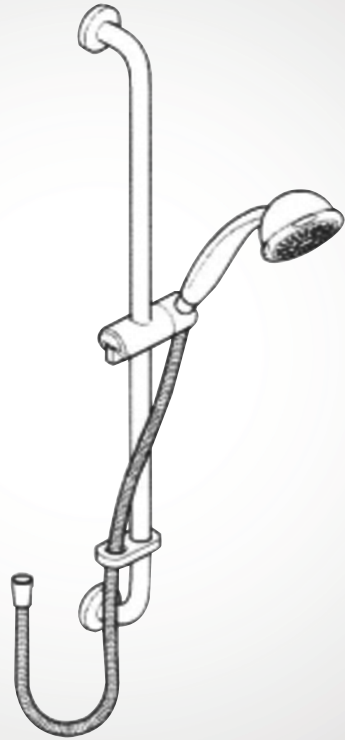
BC5083-16

DOLPHIN EXPOSED SHOWER DIVERTER VALVE

- › Two outlet diverter valve, designed to add extra convenience and flexibility to showering
- › Designed for use with the Rada V12 Exposed shower valve
- › Simple to use - allows you to divert water between two different outlets off the same shower valve, or to have both running simultaneously
- › Suitable for either high or low pressure systems

PRODUCT CODES

- BC5083-16** - Exposed shower diverter
- BC5083-15** - Exposed shower valve



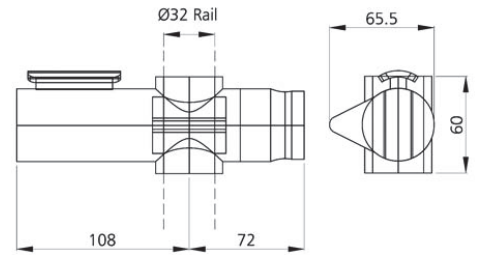
BC5083-24

DOLPHIN SHOWER HANDSET AND HOSE

- › An adjustable spray handset with 5 spray actions.
- › Supplied complete with flexible hose.
- › Doesn't include rail and shower head holder.

PRODUCT CODES

- › **BC5083-24** Dolphin Shower Handset and Hose



BC5083-25

DOLPHIN 32MM SLIDER BRACKET FOR SHOWER HEAD HOLDER

- › This shower bracket has been designed to provide users with an adjustable shower head height and to make it easier for users with limited dexterity.

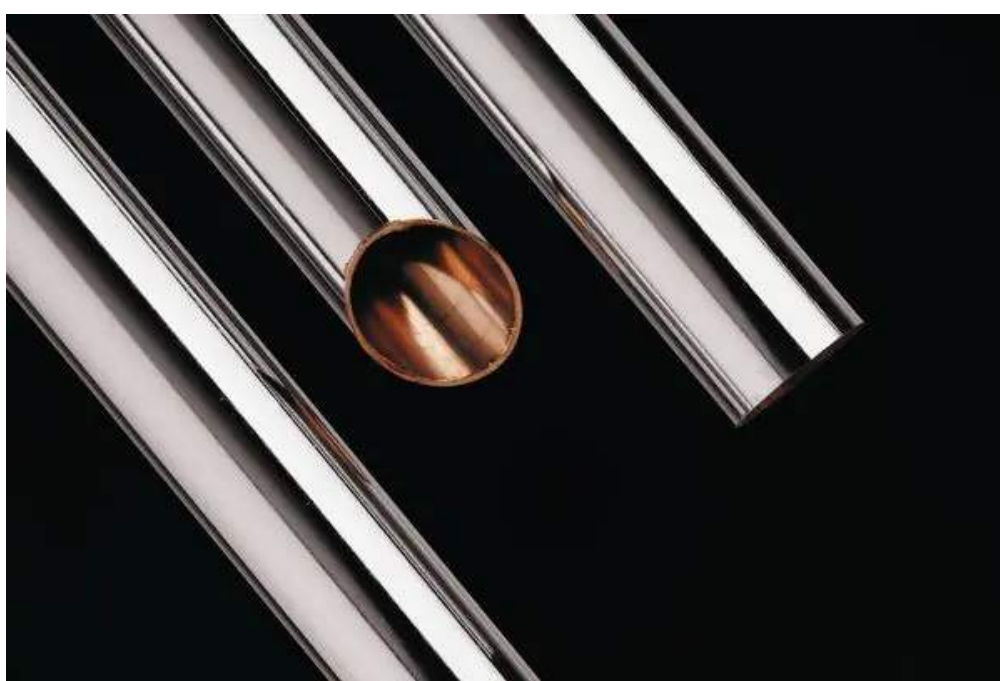
WIDTH	180 MM
HEIGHT	60 MM
PROJECTION	65.6 MM

INSTALLATION

- › Installation should be carried out by a suitably qualified tradesman.
1. Once the shower slider/grab rail has been installed this bracket can be installed on it.
 2. Take the infill part out of the back of the bracket.
 3. Push the bracket onto the shower slider/grab rail until it clamps.
 4. Put the infill back into the back of the bracket.
 5. Push the grey clip through the bracket and the infill to lock the infill onto the back of the bracket.
 6. Ensure the grey clip is pushed all the way through and then secure the grey clip on the opposite side with the screw provided
 7. Always carry out a functional test after installation and report any issues immediately.
 8. Please leave these instructions with the user.

PRODUCT CODES

- › **BC5083-25** 32mm Slider Bracket for Shower Head Holder



BC5083-18

COPPER TUBE FOR USE IN DOLPHIN SHOWER PACKS

- > Cu-DHP grade copper
- > Suitable for any plumbing, heating and gas installation
- > Meets BS EN1057
- > BSi Kitemark licensed
- > 15mm diameter, 0.7mm thick copper tubing
- > Offers easy manipulation due to half-hard condition
- > Able to withstand high internal pressures,
- > Suitable for use with hot and cold water
- > Supplied in a 1500mm length.

LENGTH	1500MM
DIAMETER	15MMMM
WALL THICKNESS	0.7MM