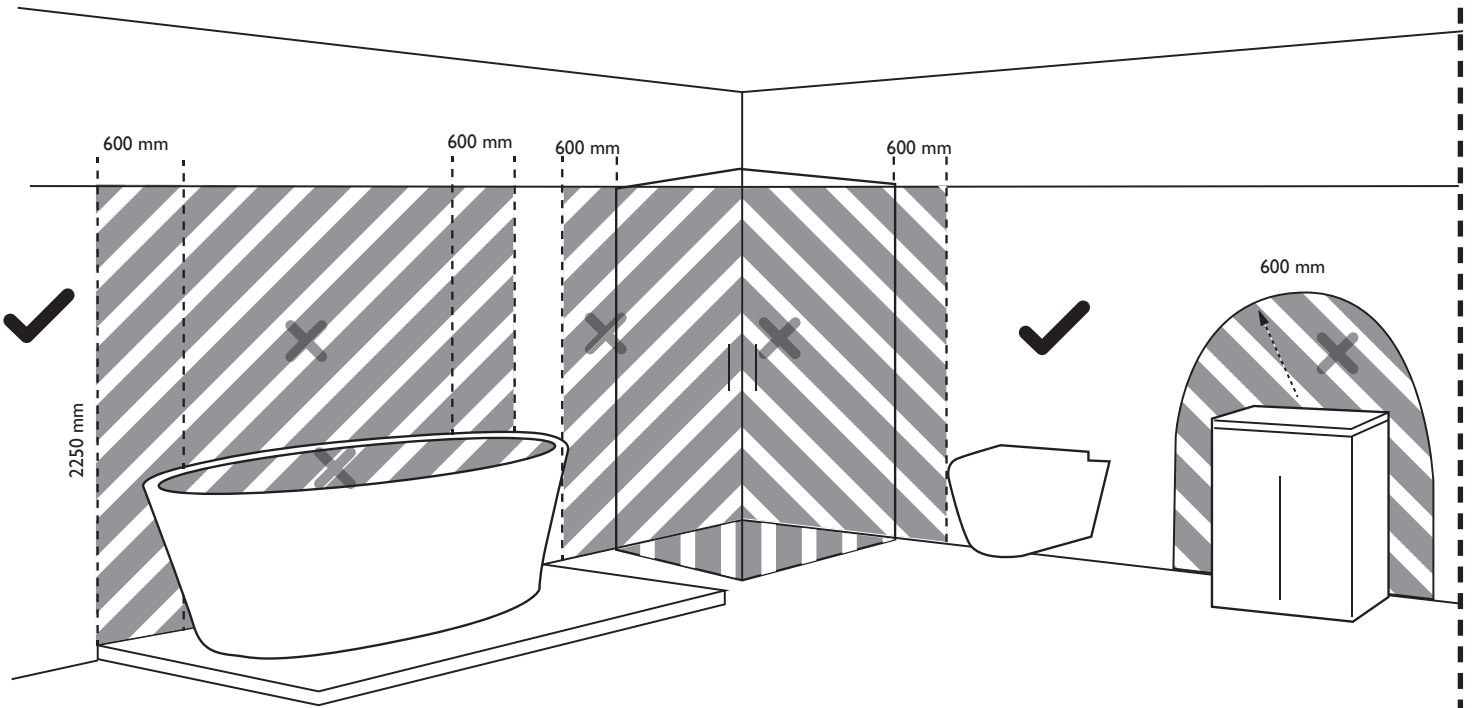




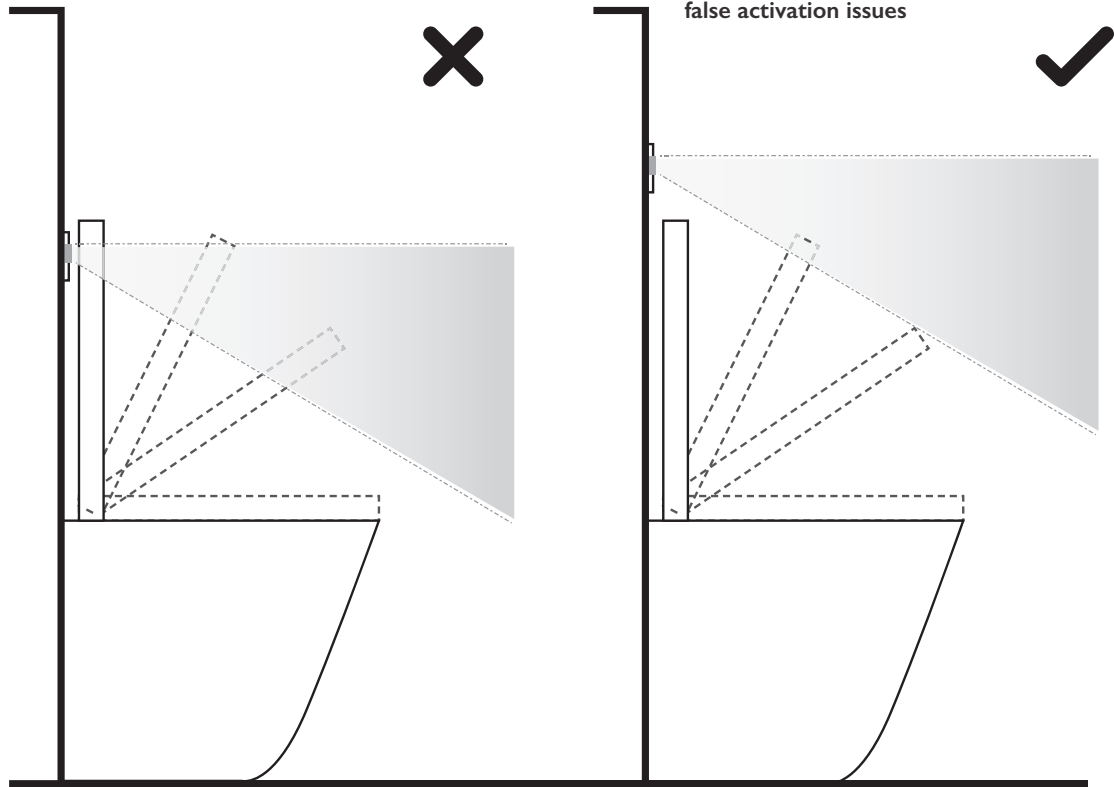
# INSTALLATION ZONE



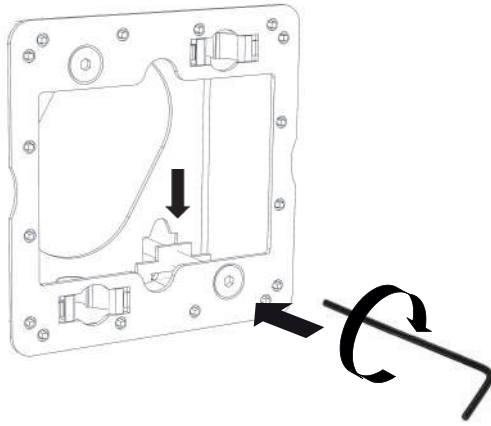
✓ OK    ✗ NO



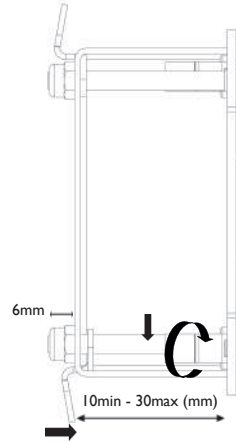
› Must be installed above the height of the opened toilet seat and seat cover to avoid false activation issues



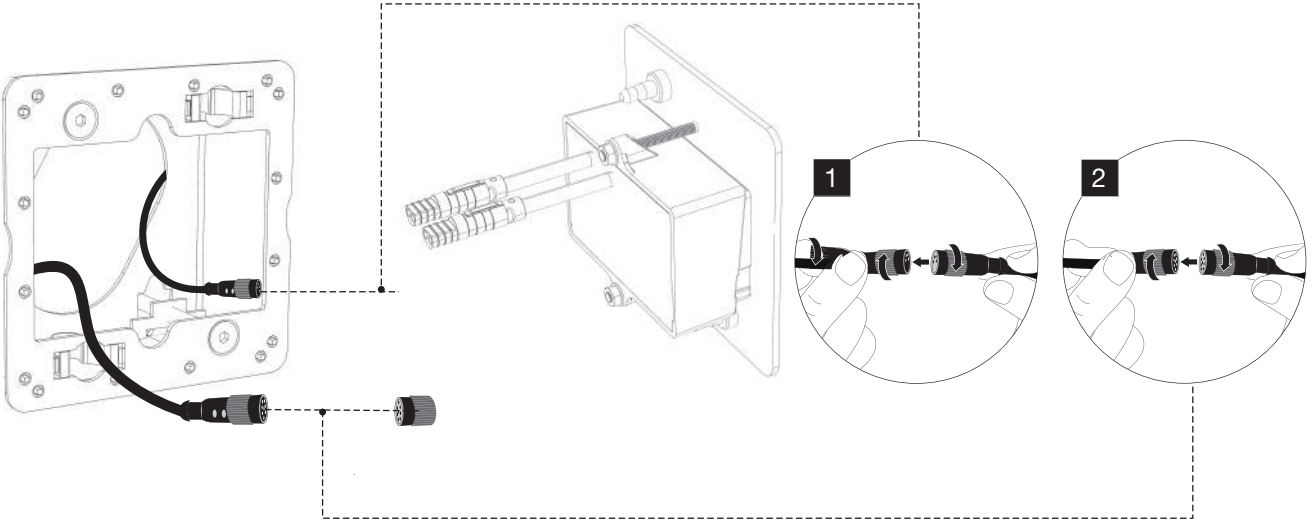
2



x 2 



3



4

